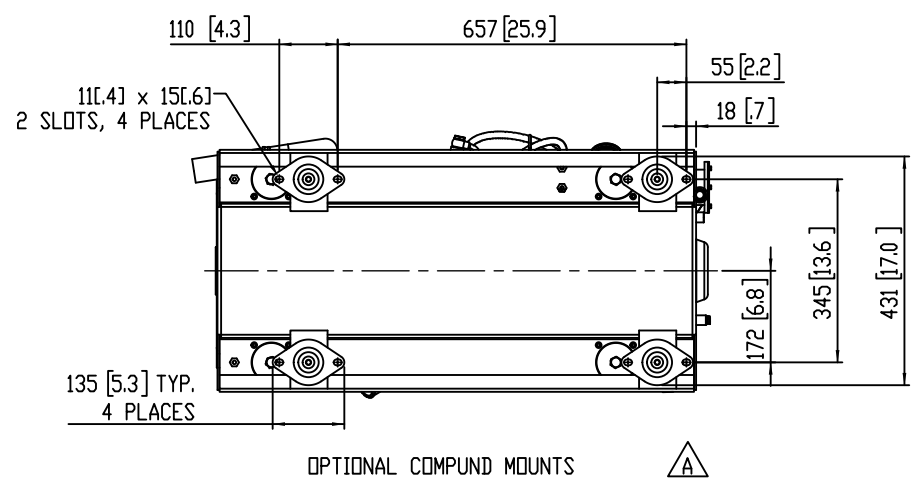
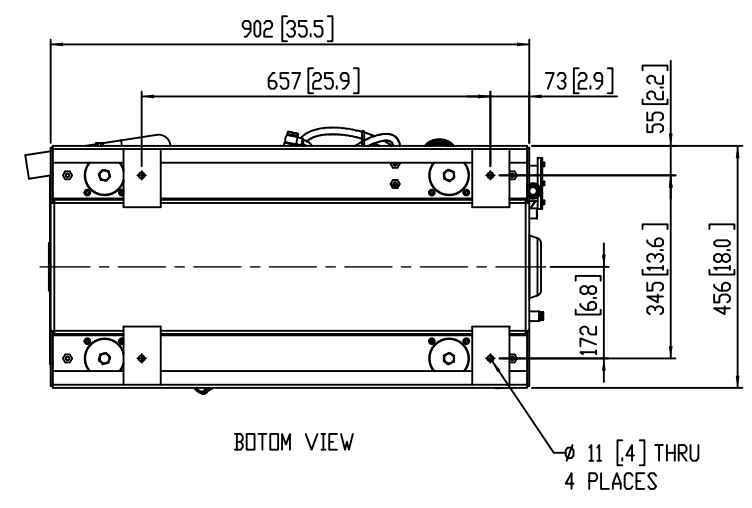
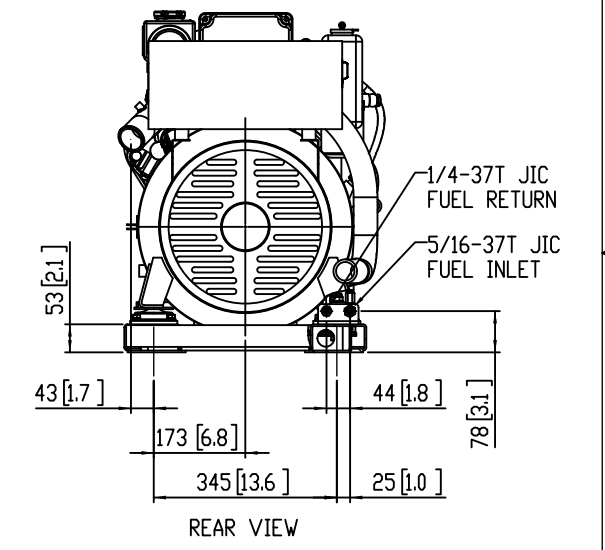
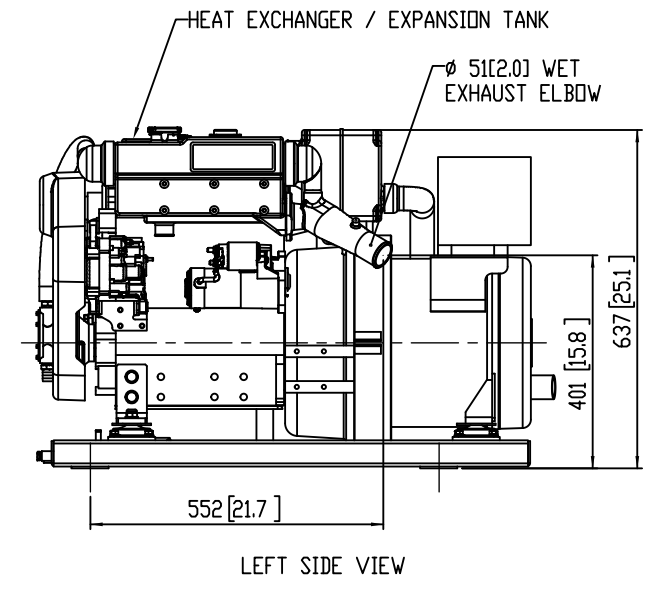
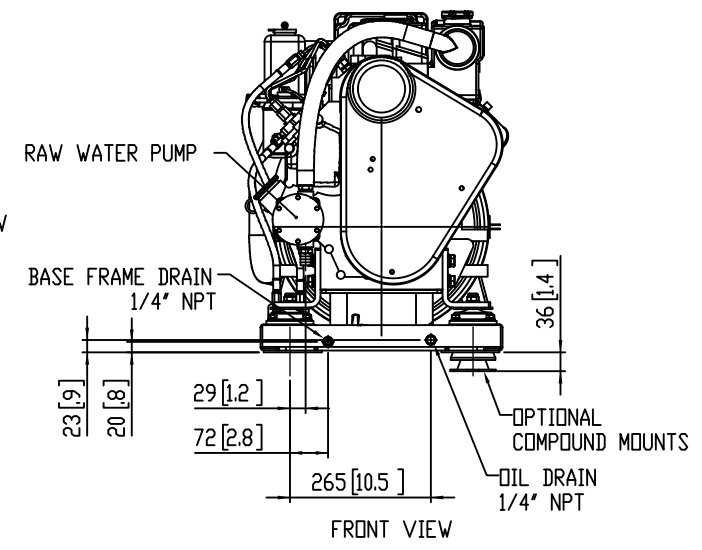
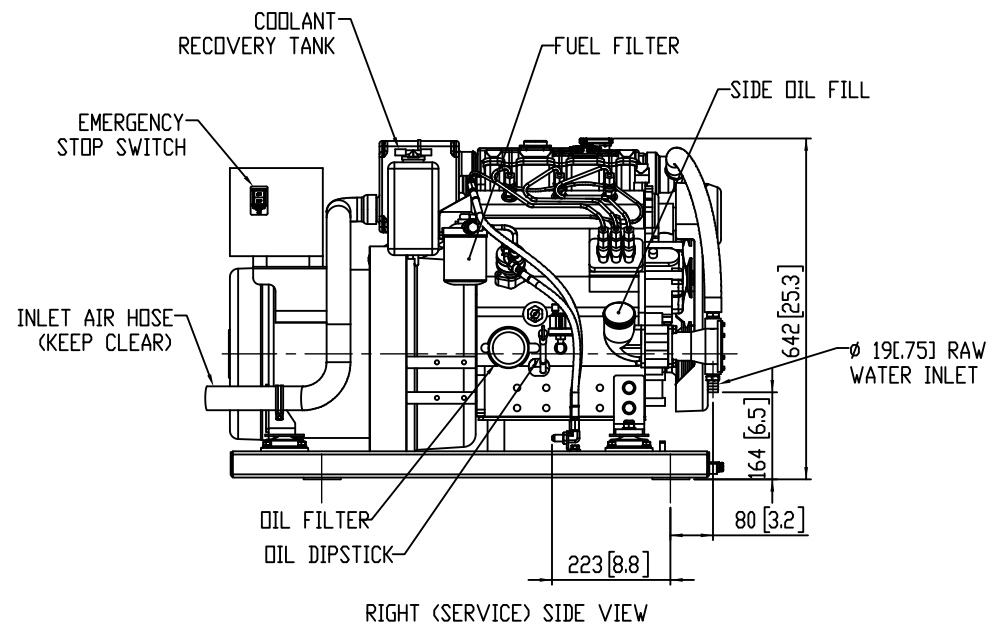
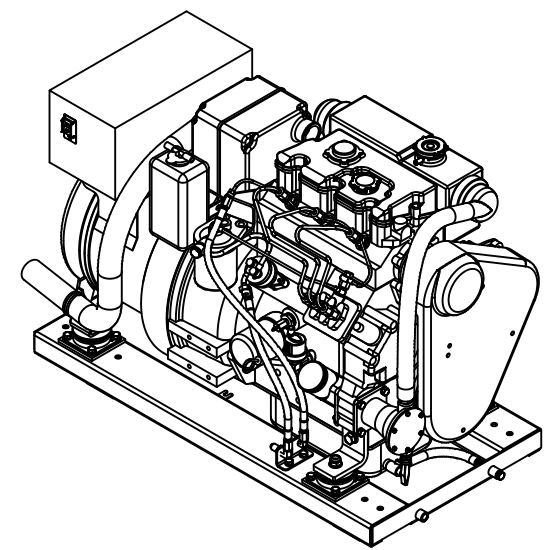
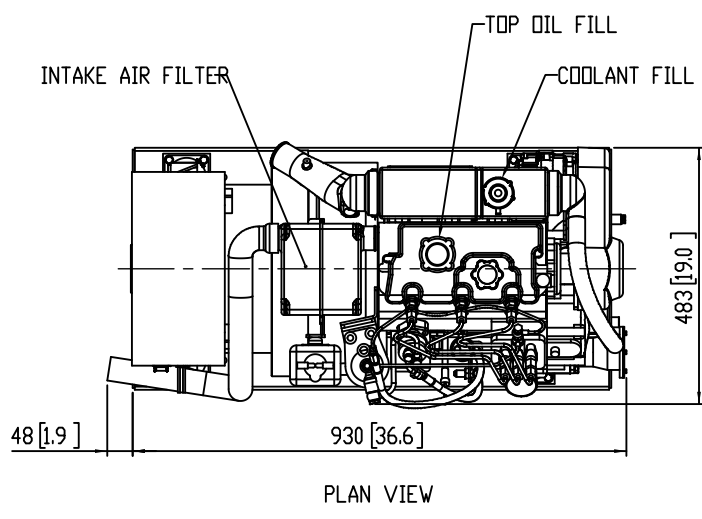


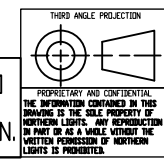
MODEL	RATING	RPM	PHASE	FREQUENCY
M843NW3	12kW	1800	3	60 Hz
M843NW3	12kW	1800	1	60 Hz
M843NW3	10kW	1500	3	50 Hz
M843NW3	10kW	1500	1	50 Hz



REV.	DESCRIPTION	DATE	BY	CHECKED
A	UPDATE VIEW FOR OPT COMPOUND MOUNTS, EDN #6505	1/20/2020	MK	LTP

NORTHERN LIGHTS 4420 14th AVE. N.W. Seattle, WA 98107 (206) 789-3880 www.northern-lights.com	
TITLE: INSTALLATION DIMENSIONS M843NW3 GEM SERIES	
SIZE: D	DWG. NO.: D-5064
SCALE: 1:7	WEIGHT: 344 kg (736 lbs)
SHEET 1 OF 1	REV: A

THE DIMENSIONS ON THIS DRAWING ARE SUBJECT TO CHANGE. PLEASE CONTACT NORTHERN LIGHTS INC. TO BE SURE YOU HAVE THE MOST CURRENT REVISION.



UNLESS OTHERWISE SPECIFIED:	NAME	DATE
DIMENSIONS ARE IN MILLIMETERS	GT	12/12/17
TOLERANCES:	DRAWN	
ANGLES:	CHECKED	
MACH ± 0.1° BEND ± 1.0°	ENG APPR.	
X ± 0.3	MFG APPR.	
Z ± 0.3	DIA	
INTERPRET GEOMETRIC TOLERANCING PER ASME Y14.5M	COMMENTS:	
FINISH		
DO NOT SCALE		