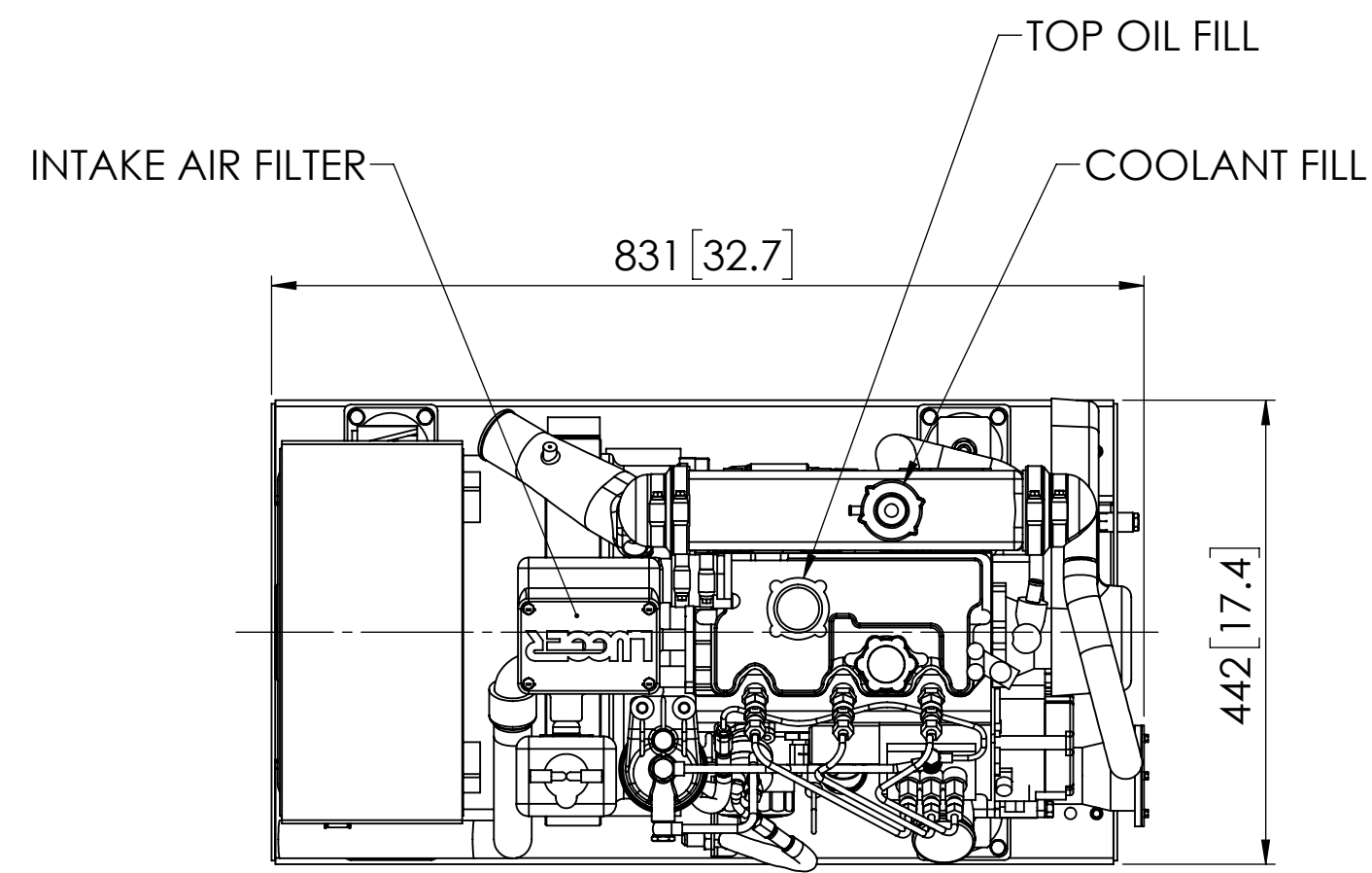
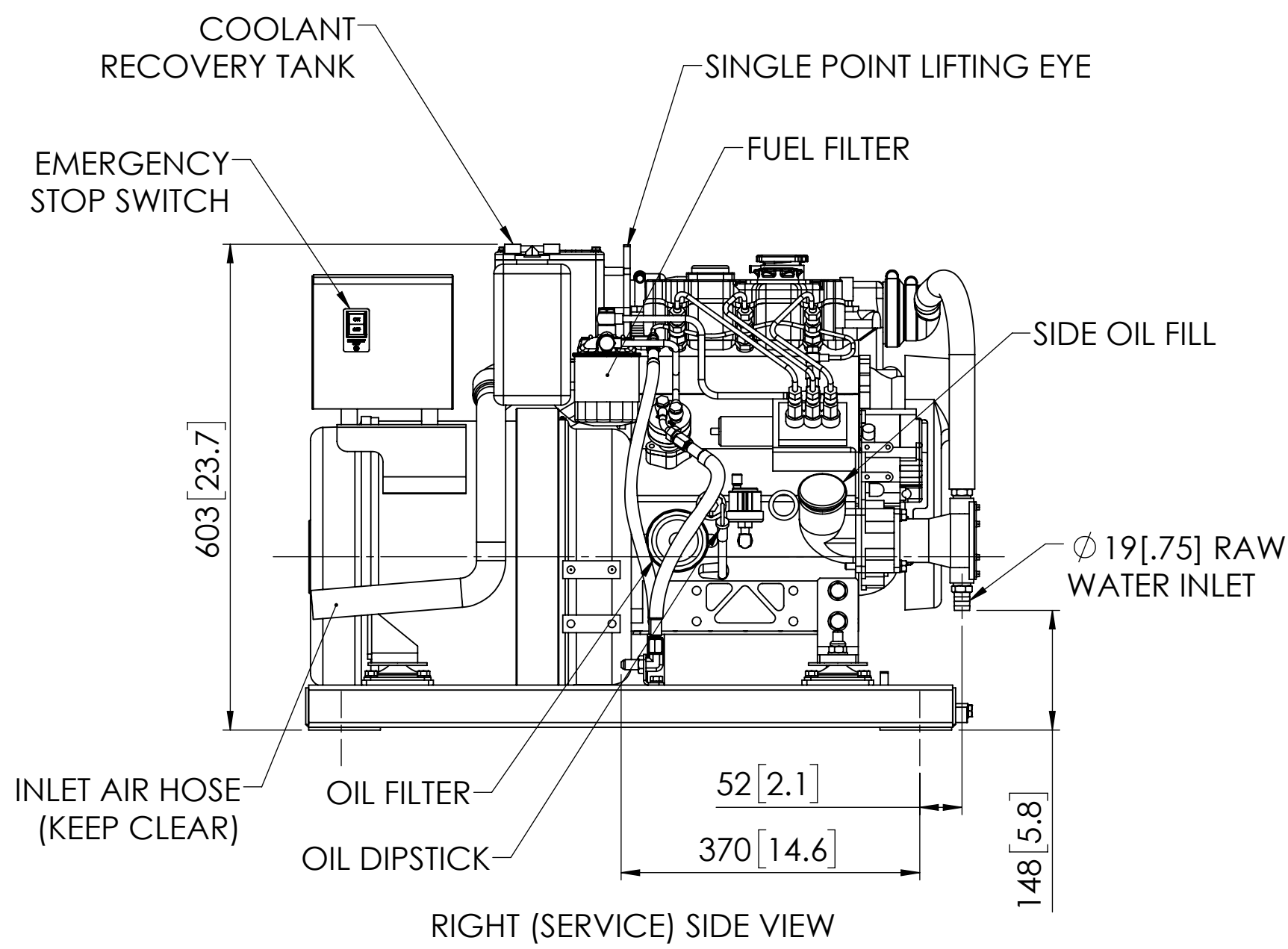
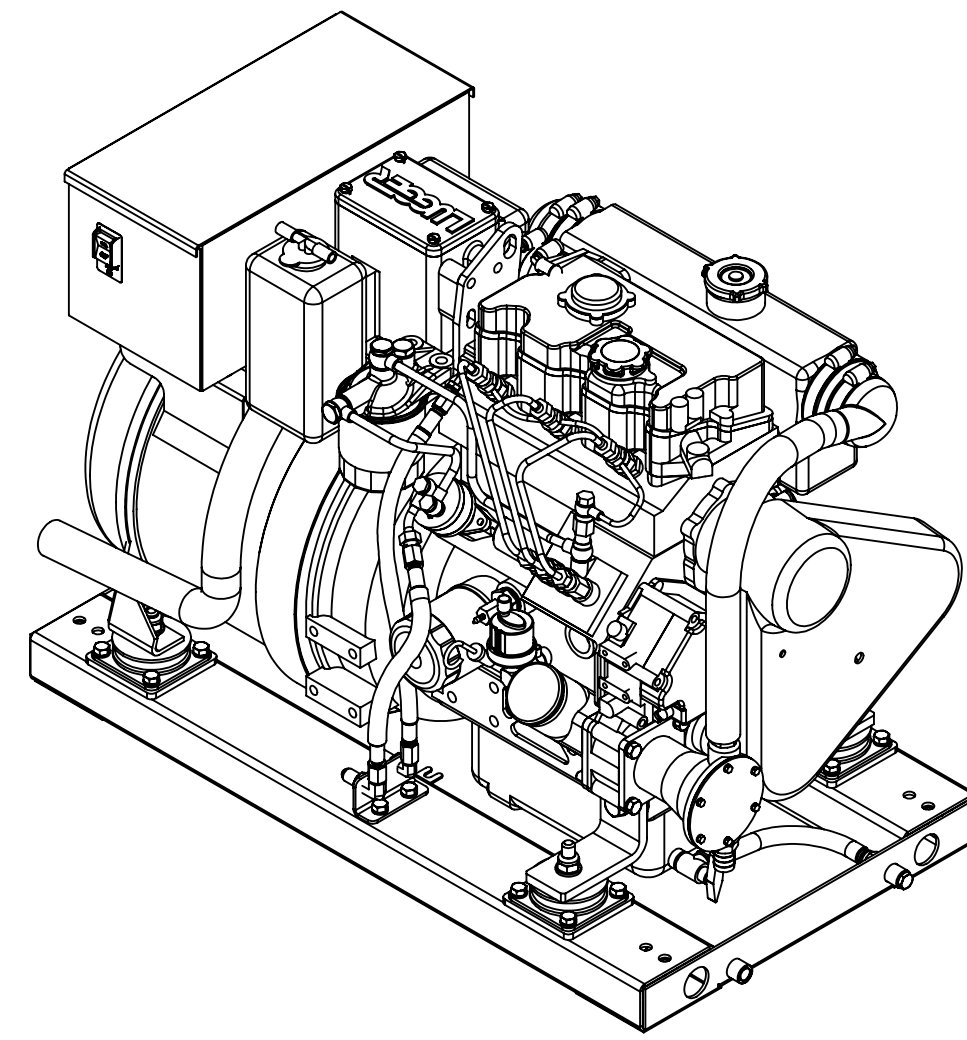


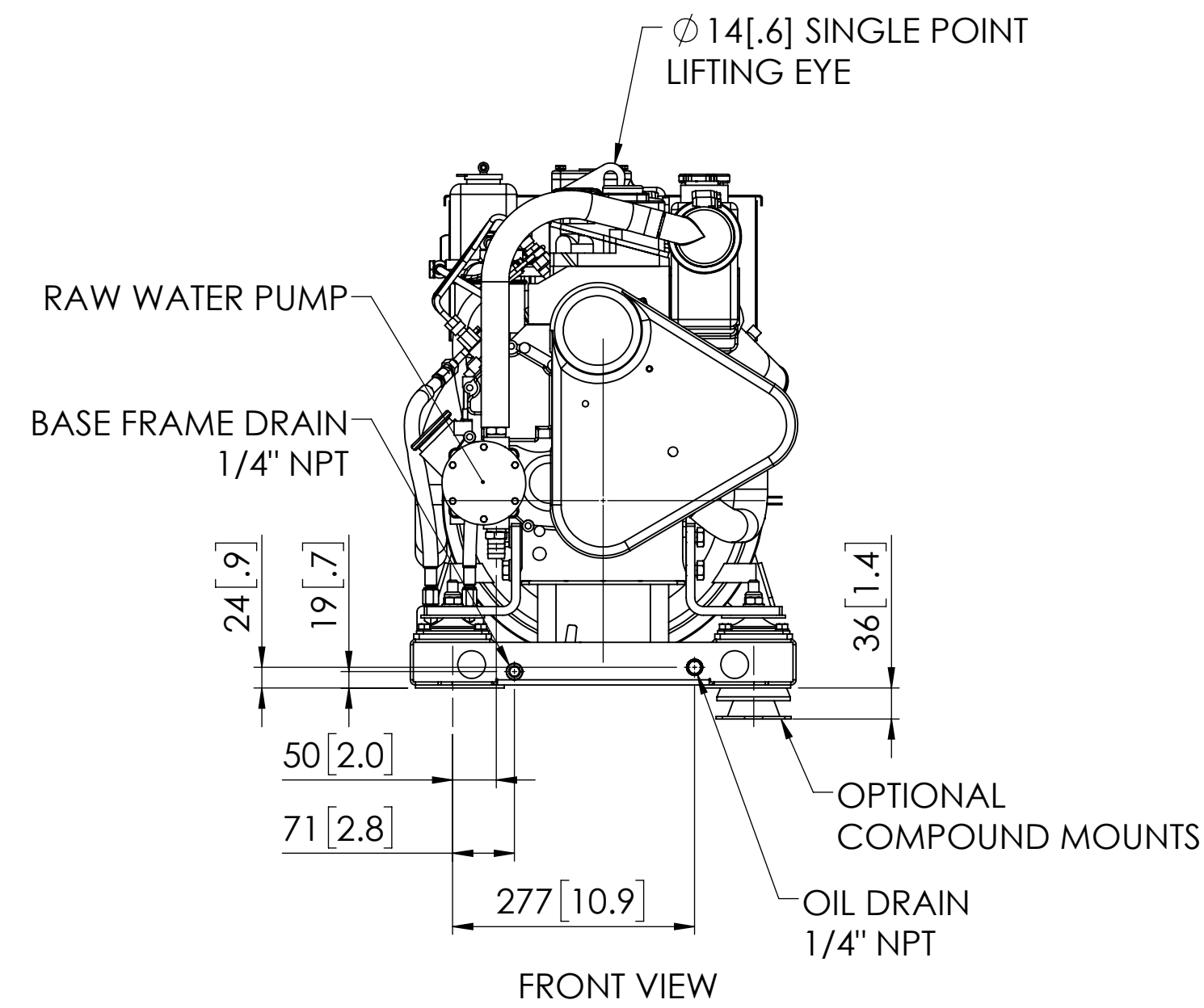
MODEL	RATING	RPM	PHASE	FREQUENCY
M773LW3	9kW	1800	3	60 Hz
M773LW3	9kW	1800	1	60 Hz
M773LW3	7kW	1500	3	50Hz
M773LW3	7kW	1500	1	50Hz



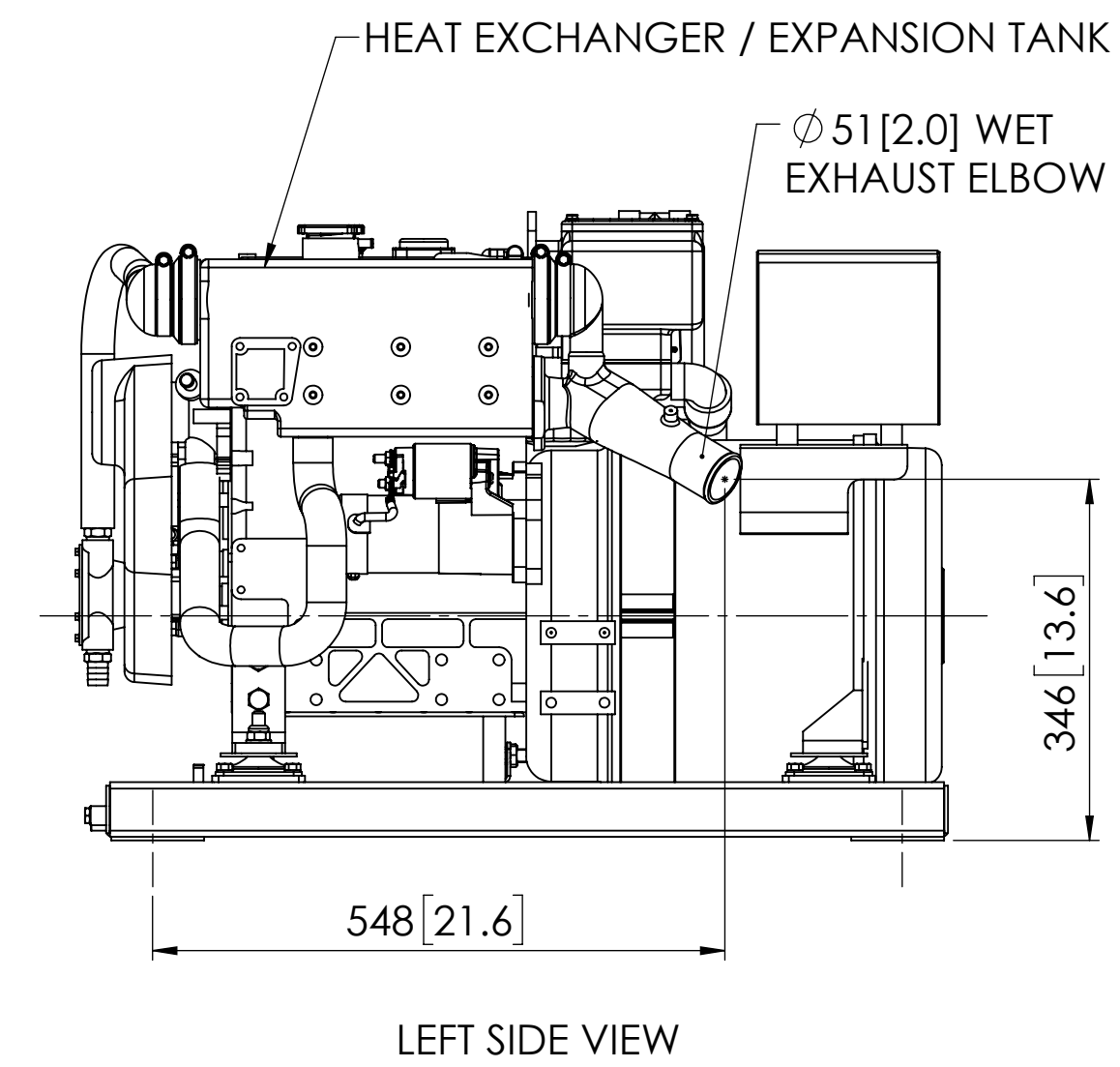
PLAN VIEW



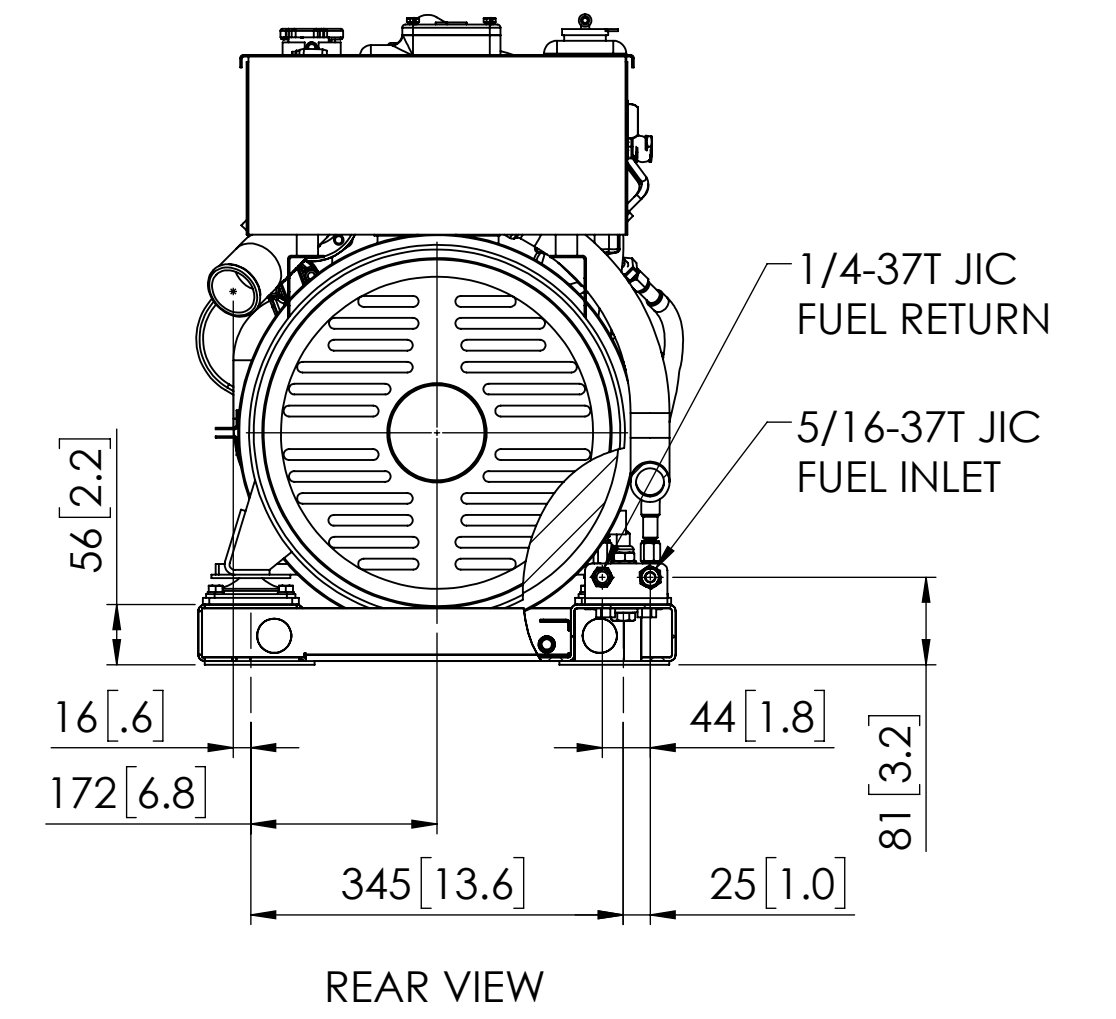
RIGHT (SERVICE) SIDE VIEW



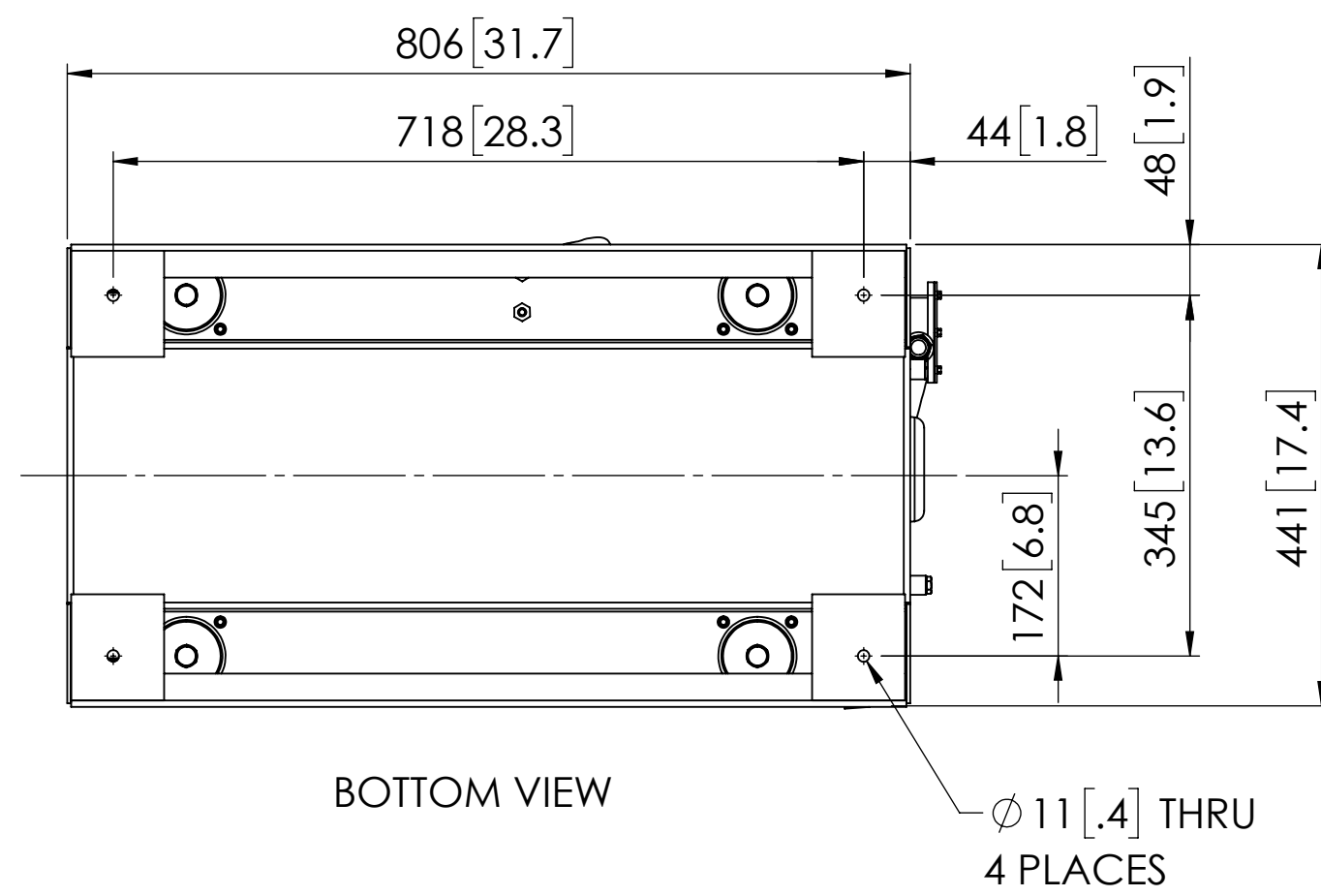
FRONT VIEW



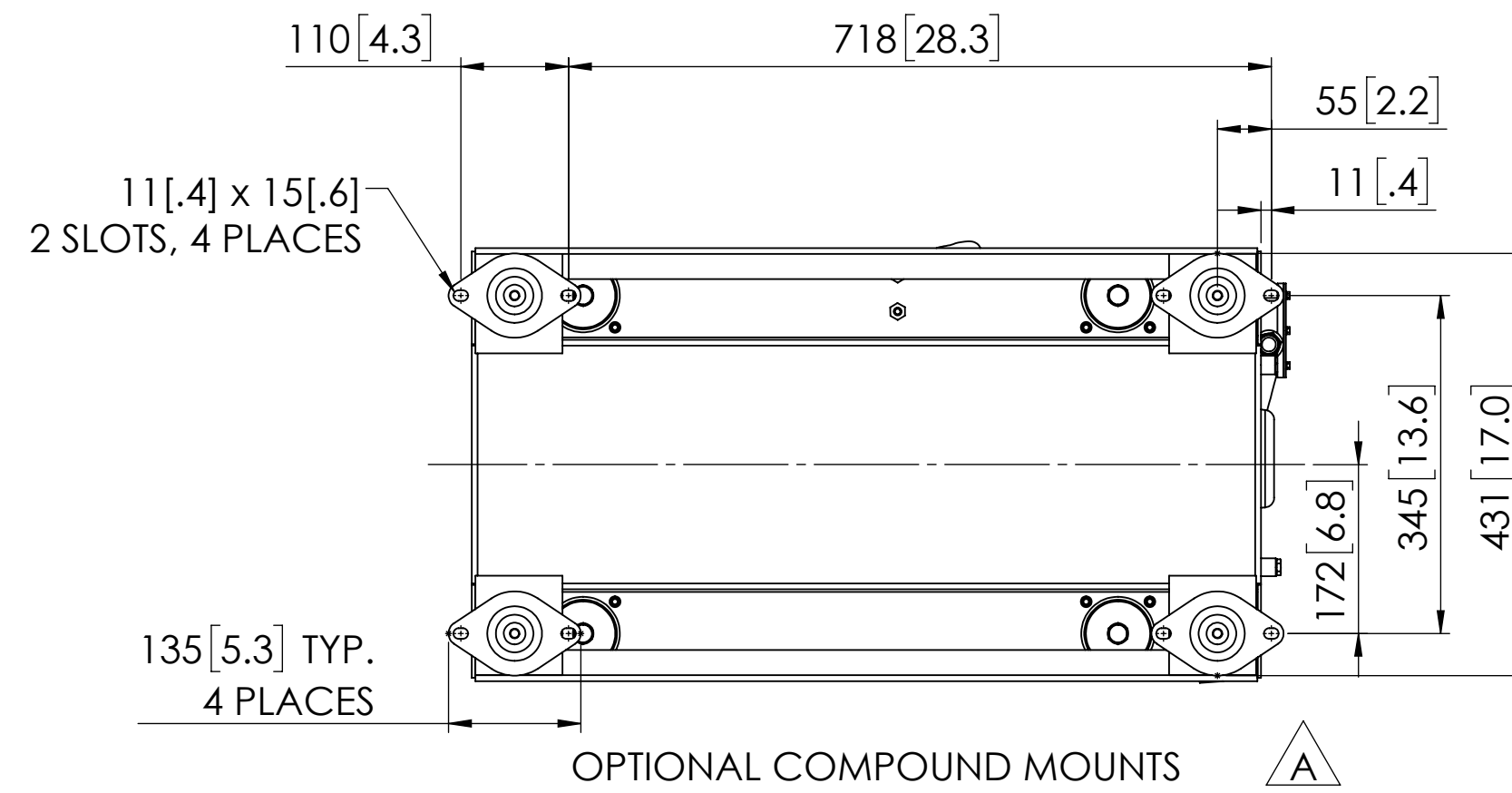
LEFT SIDE VIEW



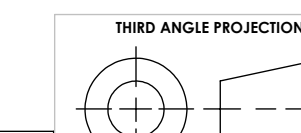
REAR VIEW



BOTTOM VIEW



OPTIONAL COMPOUND MOUNTS



PROPRIETARY AND CONFIDENTIAL  
THE INFORMATION CONTAINED IN THIS DRAWING IS THE SOLE PROPERTY OF NORTHERN LIGHTS. ANY REPRODUCTION IN PART OR AS A WHOLE WITHOUT THE WRITTEN PERMISSION OF NORTHERN LIGHTS IS PROHIBITED.

THE DIMENSIONS ON THIS DRAWING ARE SUBJECT TO CHANGE. PLEASE CONTACT NORTHERN LIGHTS INC. TO BE SURE YOU HAVE THE MOST CURENT REVISION.

REV.	DESCRIPTION	DATE	BY	CHECKED
A	UPDATE VIEW FOR OPT COMPOUND MOUNTS. ECN # 6504	1/15/2020	MK	LTP

NAME	DATE
DRAWN GT	8/9/17
CHECKED LTP	8/9/17
ENG APPR.	
MEG APPR.	
G.A.	
COMMENTS:	

UNLESS OTHERWISE SPECIFIED: DIMENSIONS ARE IN MILLIMETERS TOLERANCES: ANGULAR: MACH ± 0.5° BEND ± 1.0° X ± 0.5 XX ± 0.3 INTERPRET GEOMETRIC TOLERANCING PER ASME Y14.5M MATERIAL: FINISH: DO NOT SCALE		<p><b>NORTHERN LIGHTS</b></p> <p>4420 14th AVE. N.W. Seattle, WA 98107 (206) 789-3880 www.northern-lights.com</p> <p>TITLE: <b>INSTALLATION DIMENSIONS M773LW3 GEM SERIES</b></p> <p>SIZE: <b>D</b> PART NO. <b>SEE TABLE</b> DWG. NO. <b>D-5035</b> REV <b>A</b></p> <p>SCALE: 1:7 WEIGHT: 244 kg [537lbs] SHEET 1 OF 1</p>
---	--	--