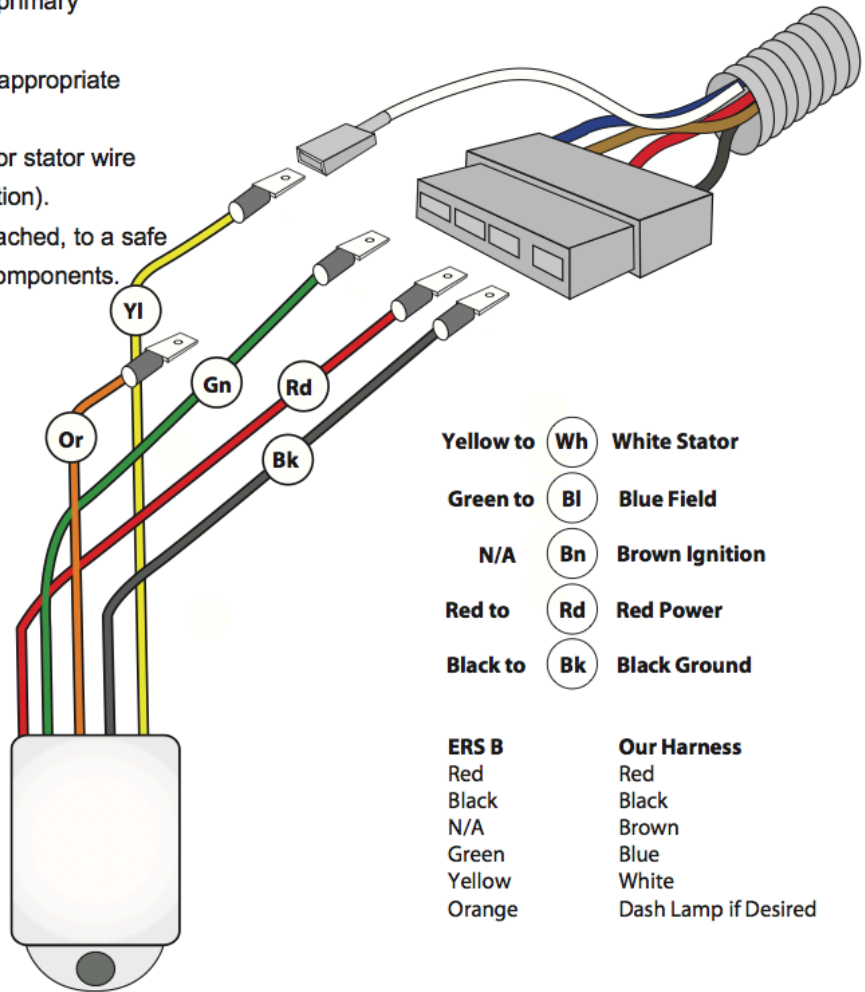


Balmar ERS-KIT Economy Back-Up Regulator Installation Instructions

The Model ERS regulator is designed to provide a rapid, temporary solution in the event of a failure of your primary voltage regulator. This single stage, external-voltage regulator is equipped with color-coded wiring and make, quick-connect terminal ends. Replacement of your primary regulator with the ERS-KIT is accomplished as follows:

1. Shut down engine and ignition.
2. Disconnect black fourplex plug from primary regulator.
3. Insert color-coded ERS-B wires into appropriate terminal ends in fourplex plug.
4. Connect White stator wire to alternator stator wire (must be connected for proper operation).
5. Secure harness end, with ERS-B attached, to a safe location, away from moving engine components.
6. Re-start engine.



In addition to its use with the standard Balmar wiring harness, the ERS regulator can be used in conjunction with any 12-volt P-Type alternator. The ERS Regulator Kit includes the following terminal connectors, which can be used to modify the ERS wiring to suit your specific application (see sample installation diagram on other side of instruction sheet):

- 2 – 5/16" ring terminals, for B+ and B-.
- 2 - #10 ring terminals, for the Field and Stator.
- 2 – ¼" insulated female spades, for the Field, Stator and Ignition.
- 6 – ¼" insulated male spades, for the wire tap and an extra.
- 1 – Blue butt connector.

Balmar ERS-KIT Economy Back-Up Regulator Installation Instructions

When installed directly to a P-Type alternator, the ERS Regulator may require some modification to the terminal connections at the end of each wire. Terminal connections may vary, based on the type of alternator the regulator is installed on.

To install the ERS Regulator:

1. Turn off the engine and disconnect the positive cable from the battery being charged (or switch battery to off.)
2. Disconnect the power, ground, field, and stator connections between the regulator being replaced and the alternator.
3. Using the terminals included with the ERS Regulator Kit, remove the ERS male spade terminals and replaced with the appropriate terminal connection specific to the alternator being used.
4. Connect the regulator wires to the appropriate terminals on the alternator. NOTE: the regulator's WHITE stator wire MUST be connected to the alternator's stator output to function correctly.
5. Connect the regulator's ORANGE wire to a Warning Lamp if needed.
6. The regulator can be attached to the alternator by attaching the mounting tab to one of the alternator's case mounting bolts.

