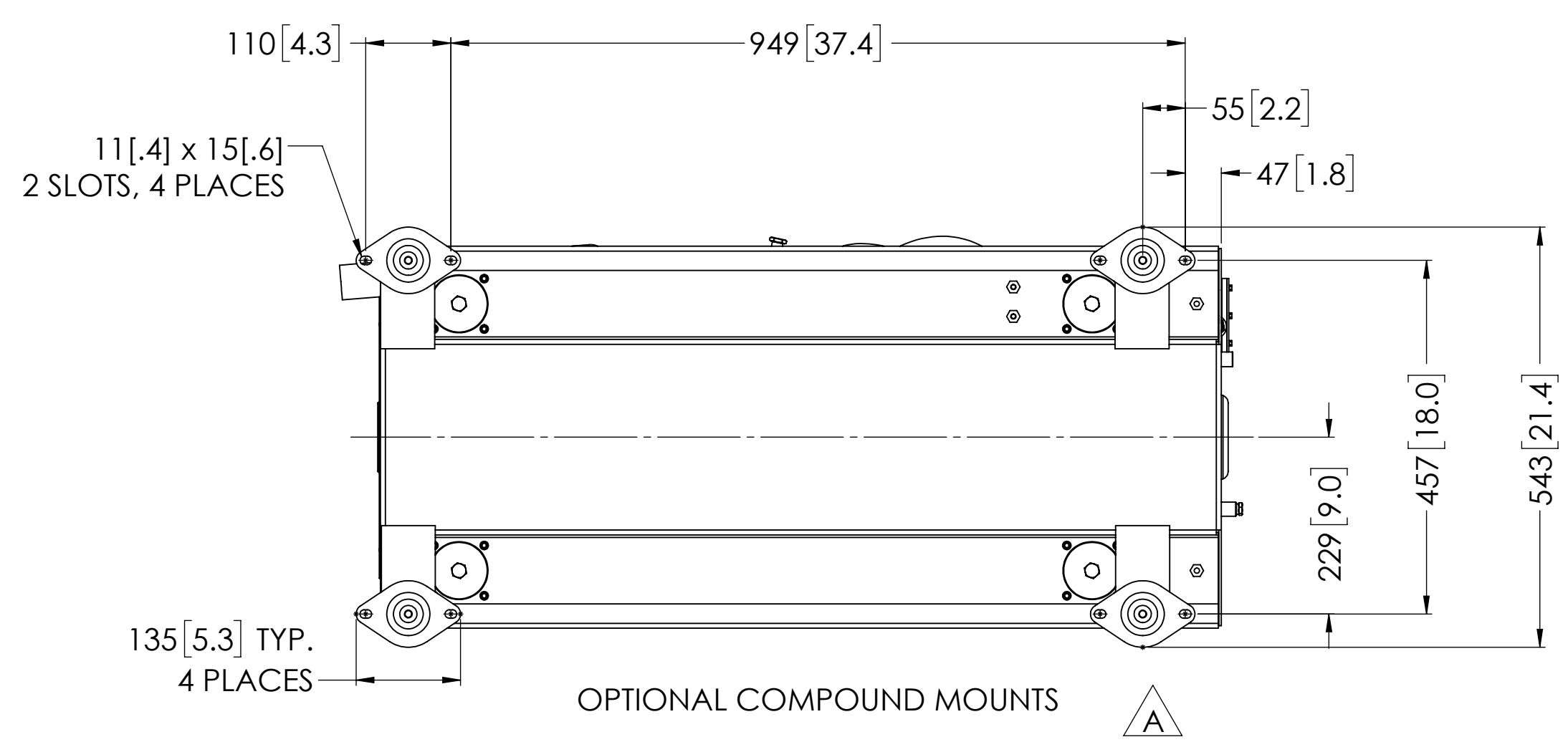
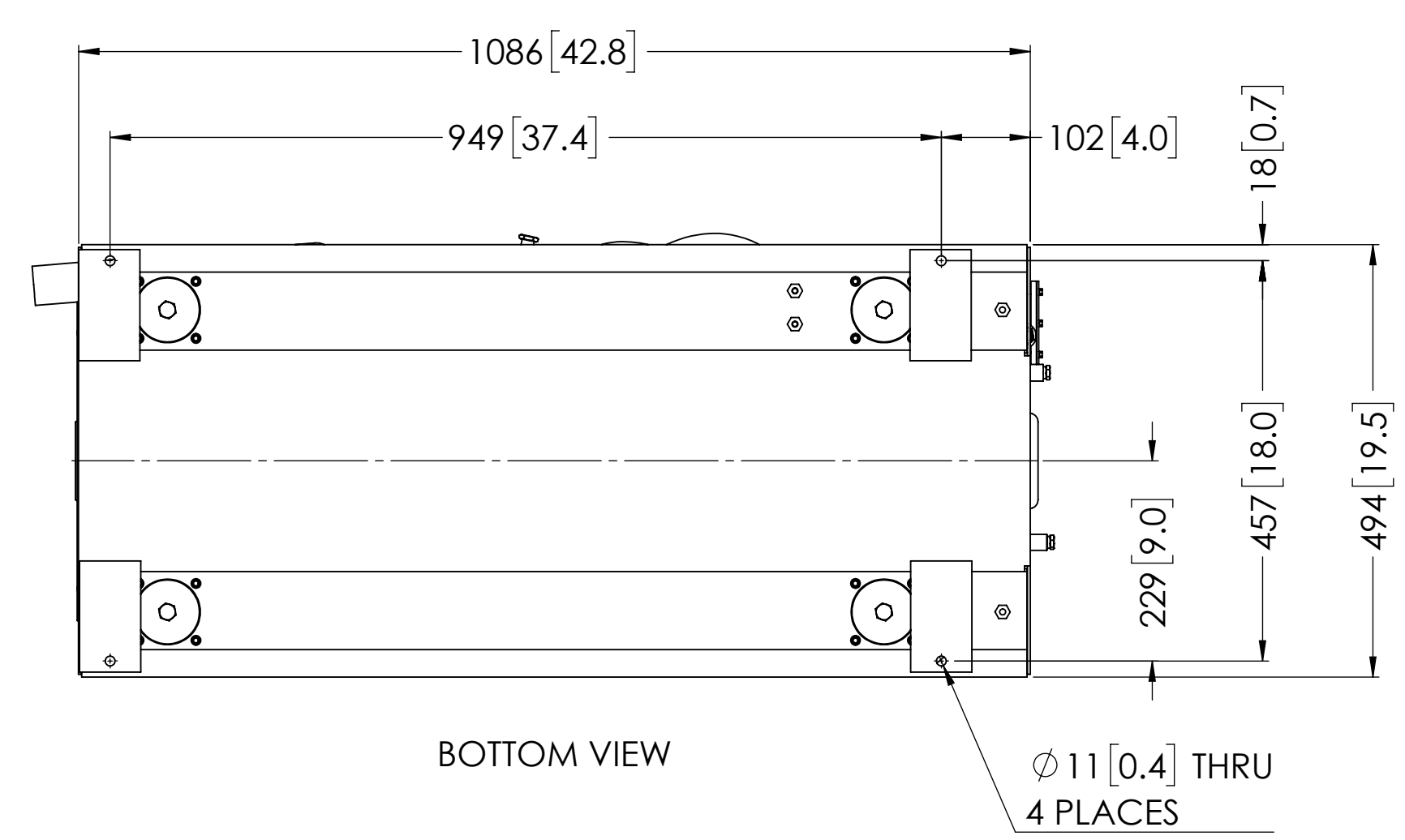
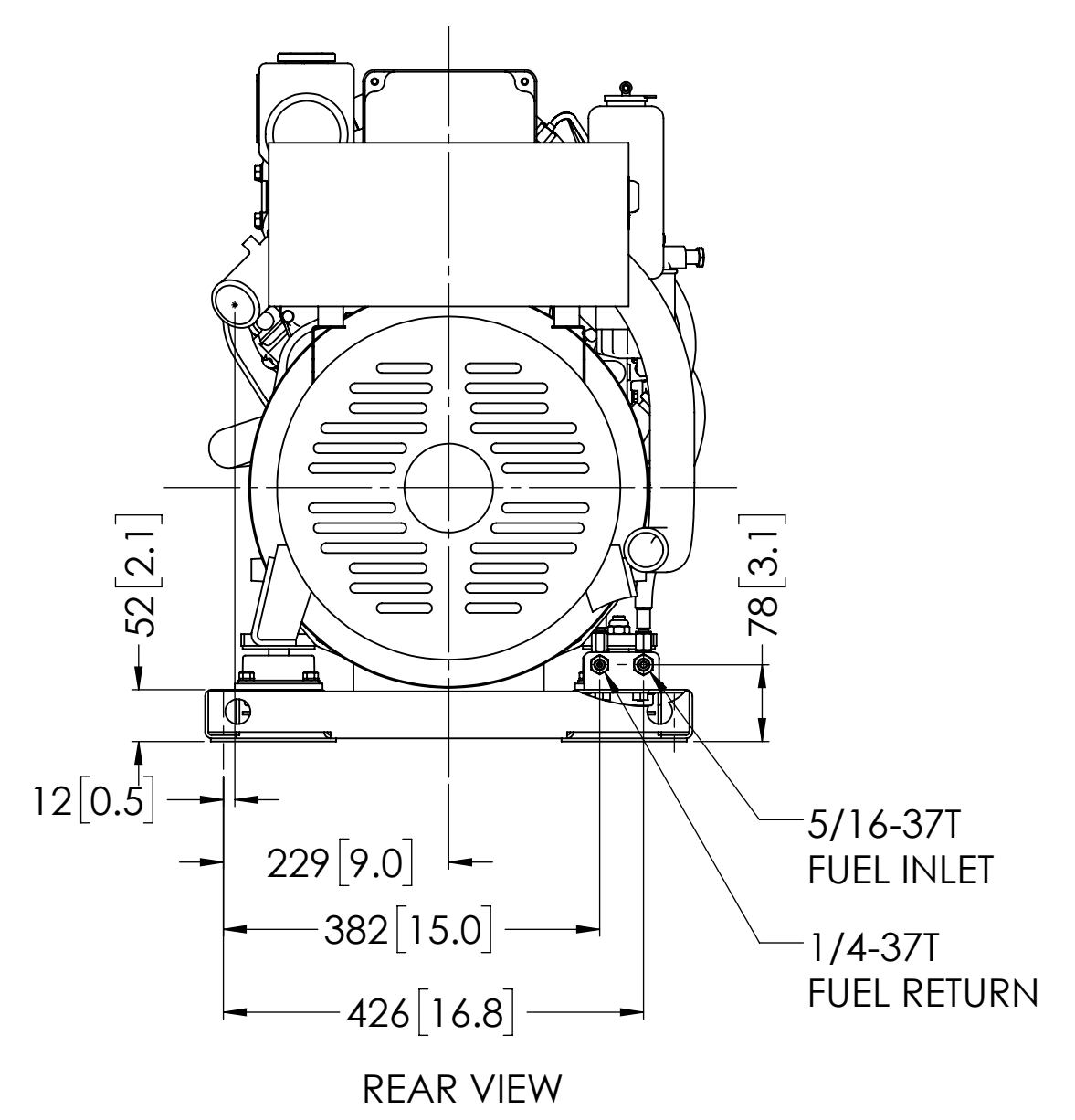
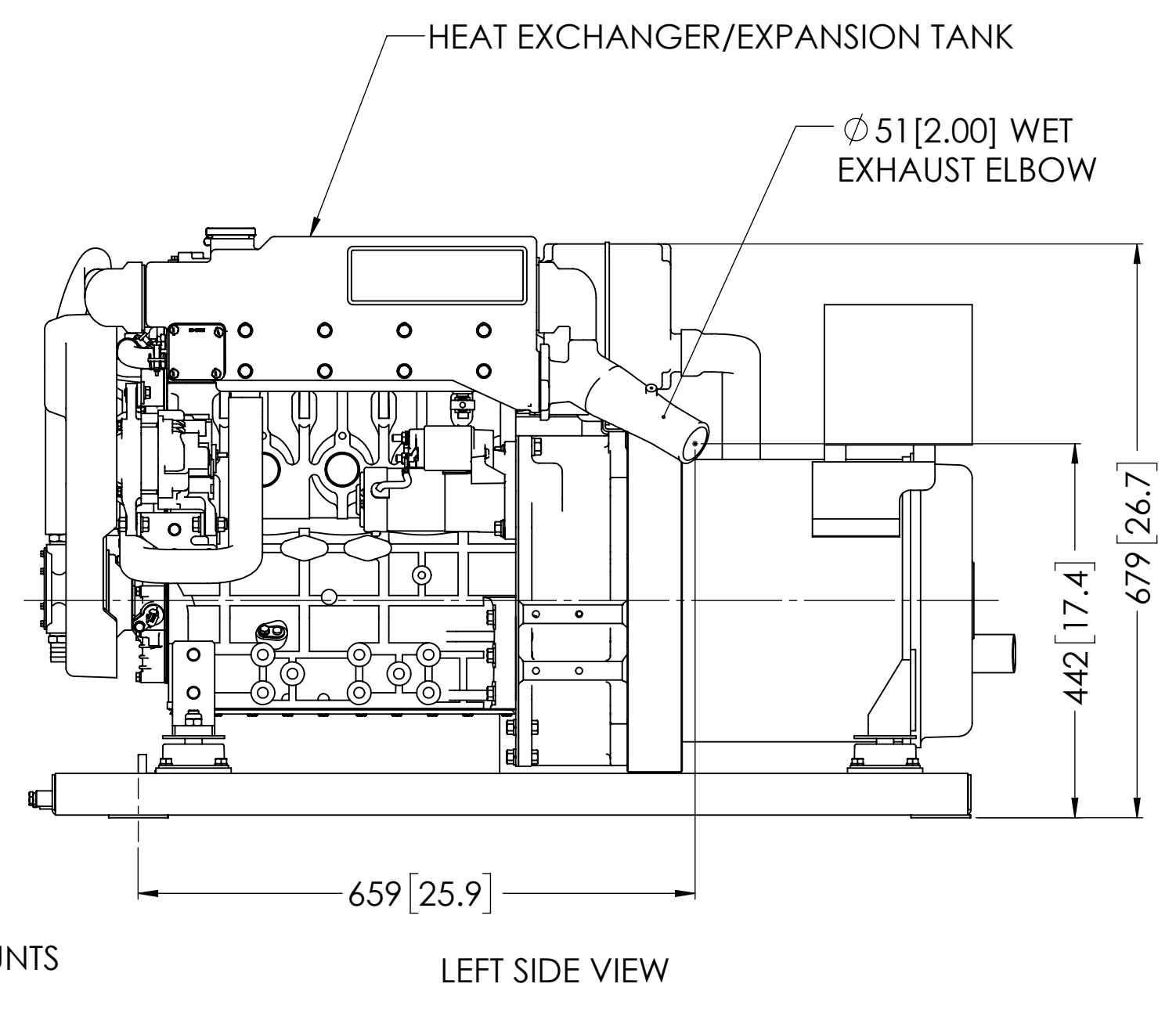
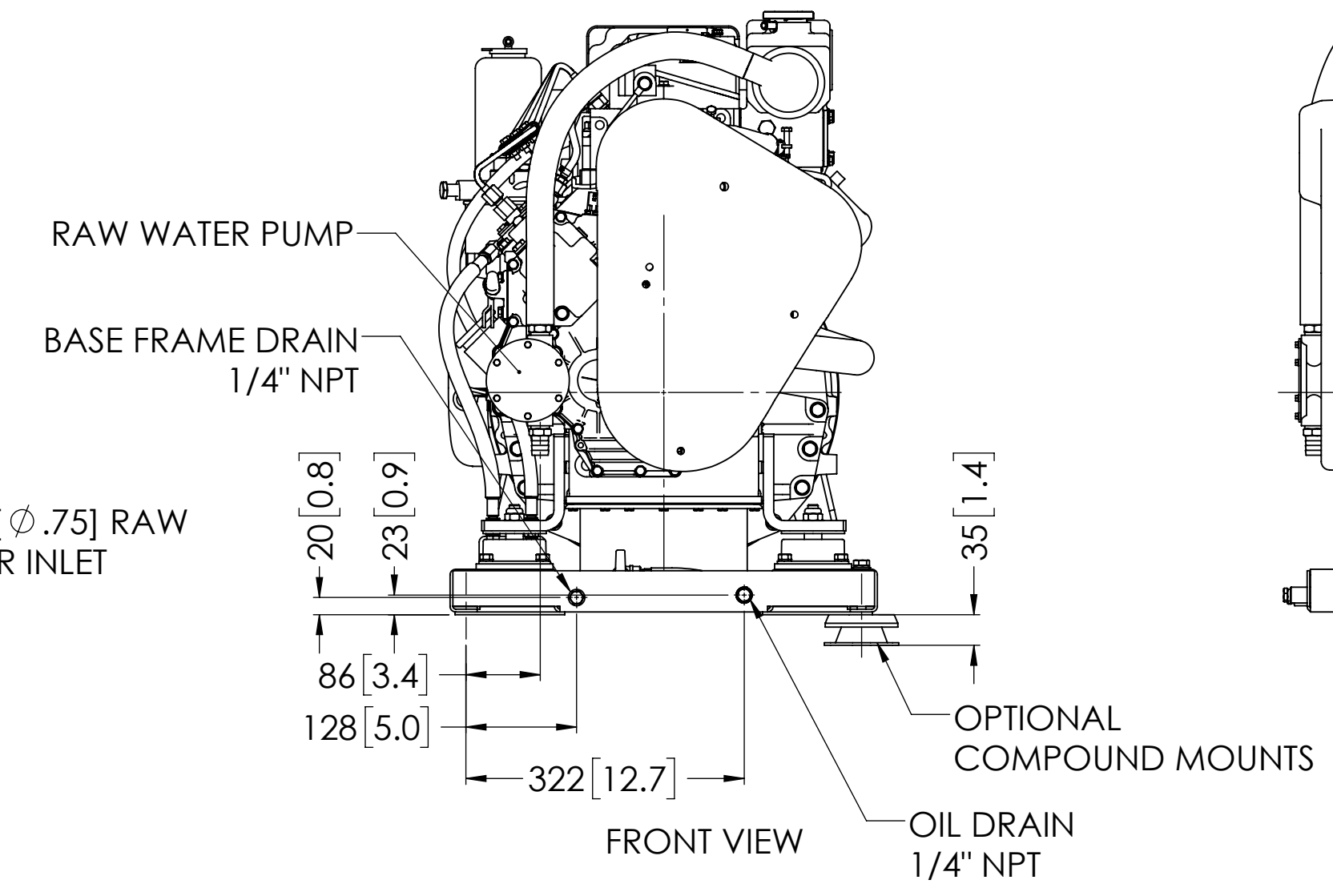
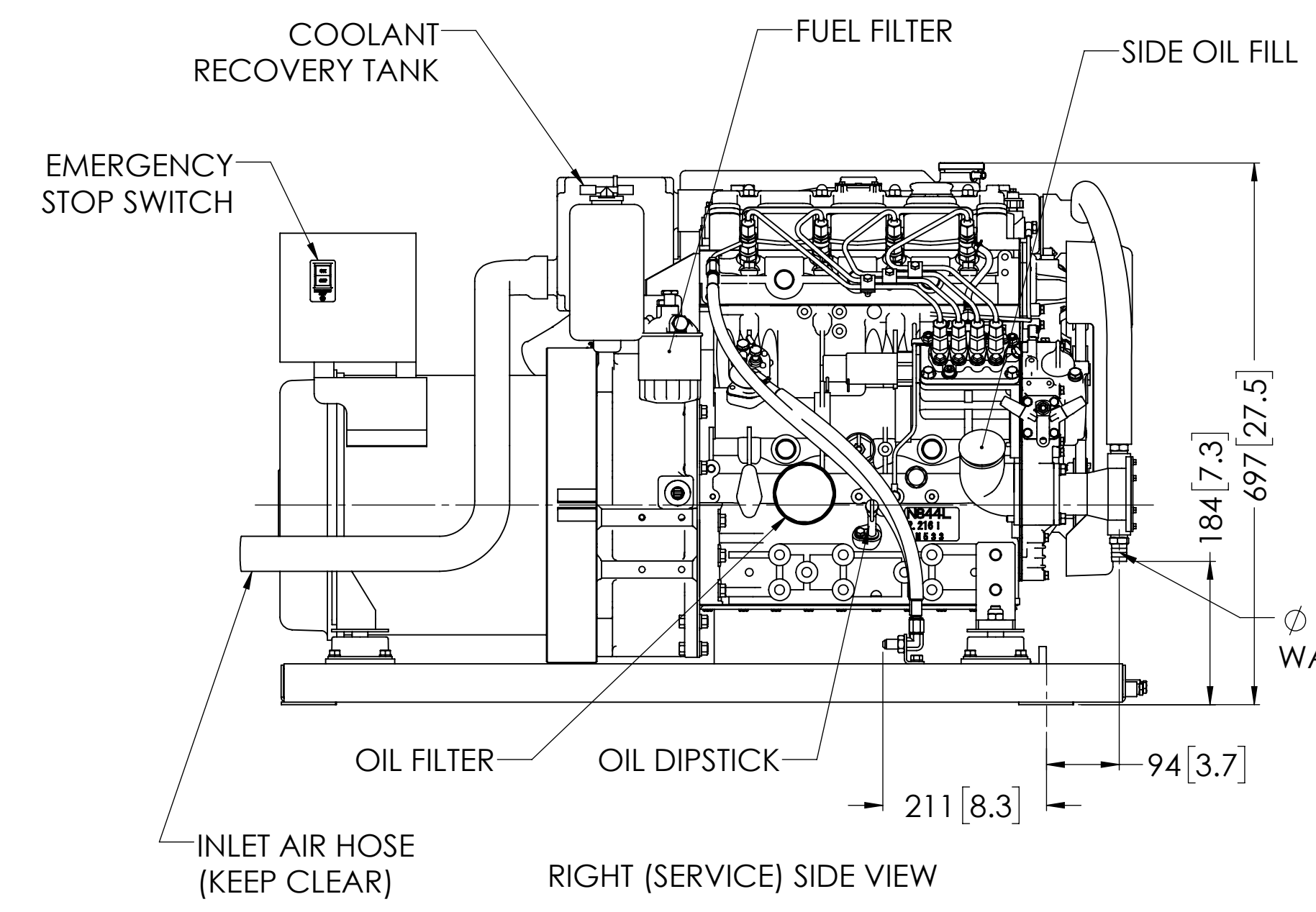
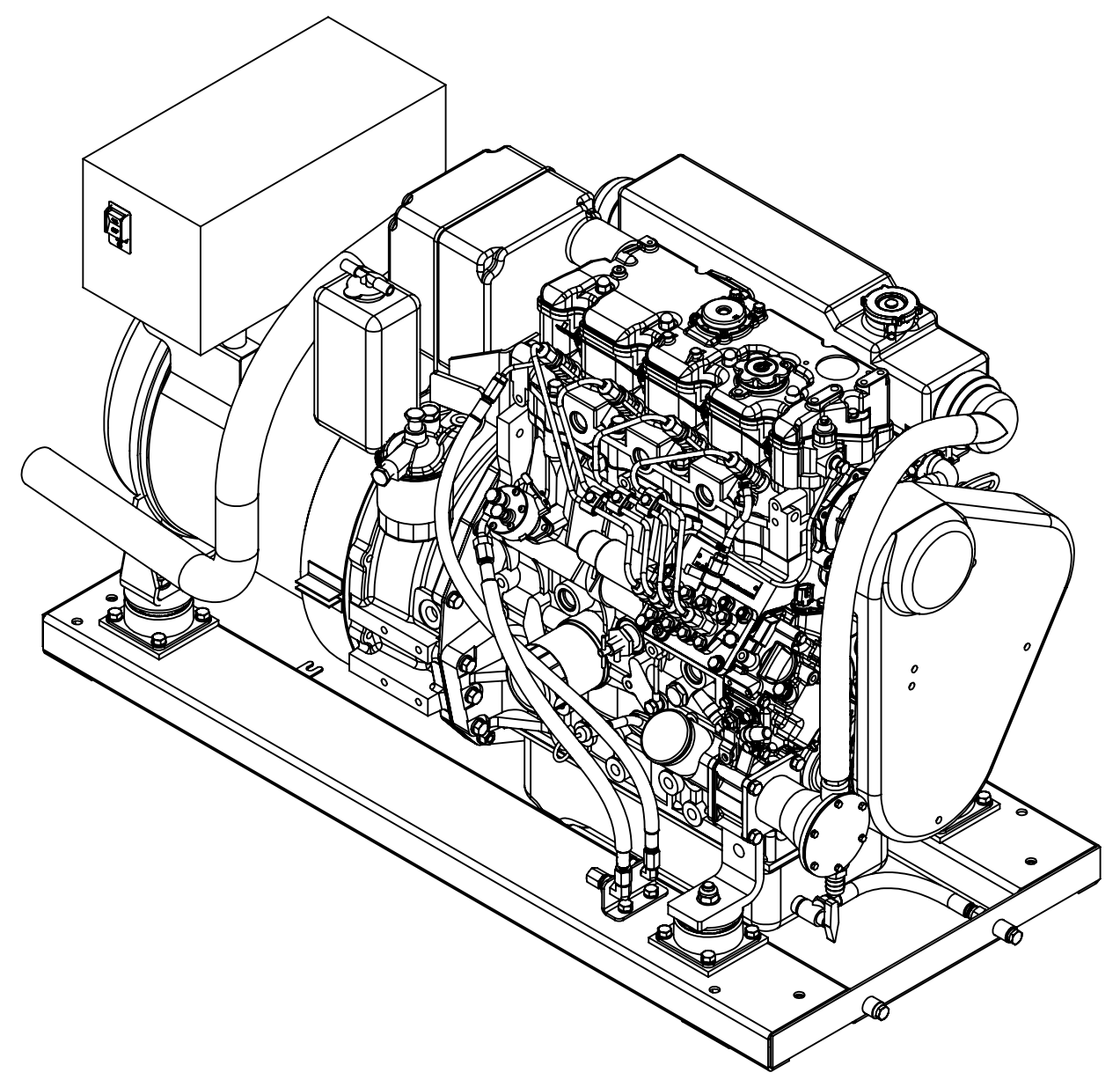
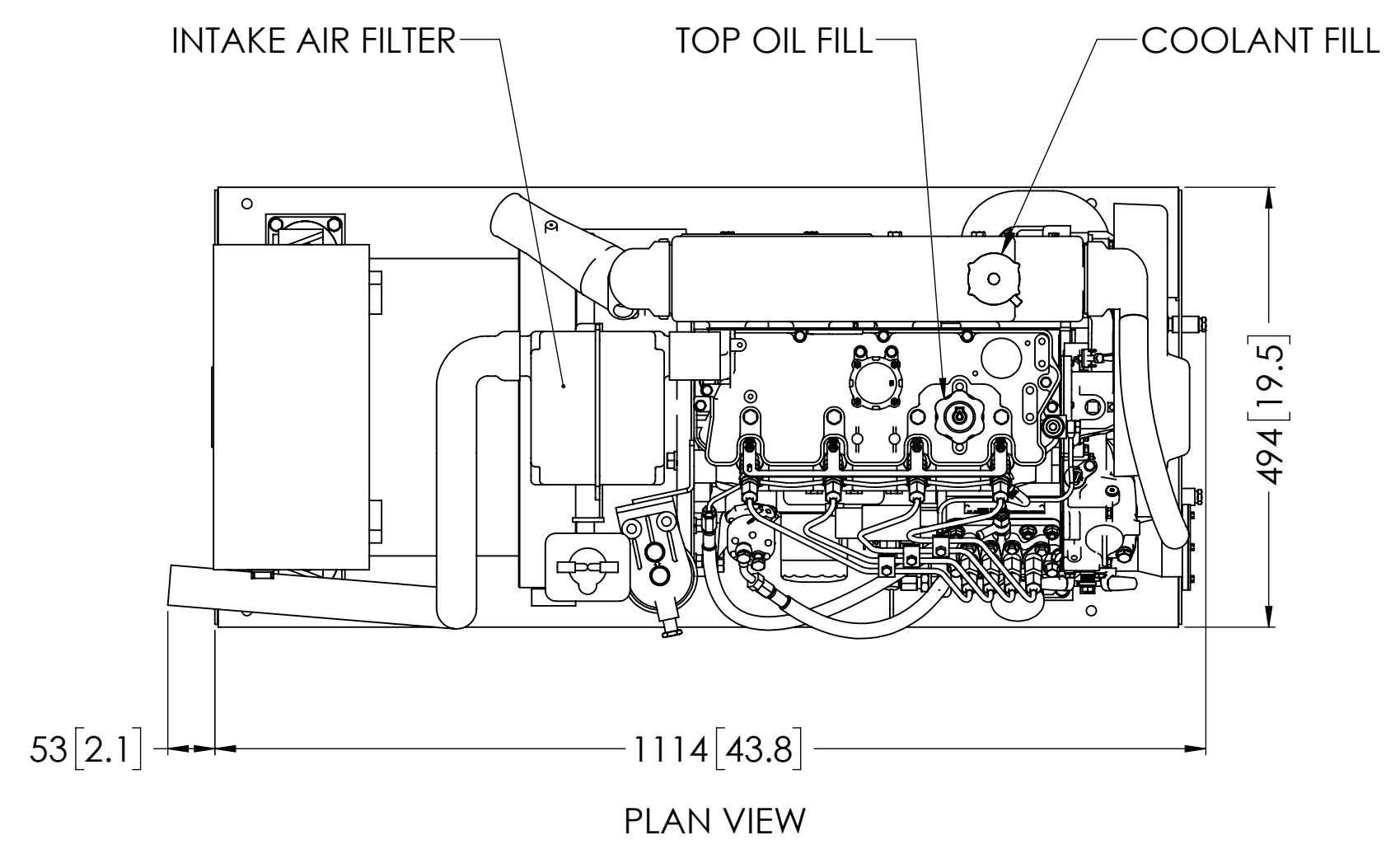
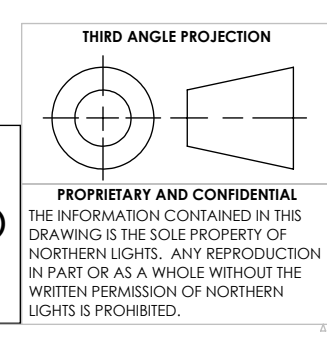


GENERATOR APPLICATION TABLE					
M844LW3	20 KW	1800 RPM	3 PHASE	60 HZ	
M844LW3	20 KW	1800 RPM	1 PHASE	60 HZ	
M844LW3	16 KW	1500 RPM	3 PHASE	50 HZ	
M844LW3	16 KW	1500 RPM	1 PHASE	50 HZ	
M844DW3	16 KW	1800 RPM	3 PHASE	60 HZ	
M844DW3	16 KW	1800 RPM	1 PHASE	60 HZ	
M844DW3	14 KW	1500 RPM	3 PHASE	50 HZ	
M844DW3	14 KW	1500 RPM	1 PHASE	50 HZ	



THE DIMENSIONS ON THIS DRAWING ARE SUBJECT TO CHANGE. PLEASE CONTACT NORTHERN LIGHTS INC. TO BE SURE YOU HAVE THE MOST CURRENT REVISION.



UNLESS OTHERWISE SPECIFIED:	NAME	DATE
DIMENSIONS ARE IN MILLIMETERS	GT	5/16/18
TOLERANCES:	CHECKED	
ANGULAR: MACH ± 0.5° BEND ± 1.0°	ENG APPR.	
.X ± 0.5	MEG APPR.	
.XX ± 0.3	G.A.	
INTERPRET GEOMETRIC TOLERANCING PER ASME Y14.5M	COMMENTS:	
MATERIAL:		
FINISH:		
DO NOT SCALE		

REV.	DESCRIPTION	DATE	BY	CHECKED
A	UPDATE VIEW FOR OPT COMPOUND MOUNTS, ECN # 6507	1/21/2020	MK	LTP

		4420 14th AVE. N.W. Seattle, WA 98107 (206) 789-3880 www.northern-lights.com
TITLE: INSTALLATION DIMENSIONS M844LW3 GEM SERIES		
SIZE: D	PART NO: SEE TABLE	DWG. NO: D-5104
SCALE: 1:7	WEIGHT: 430 kg [948 lbs]	SHEET 1 OF 1