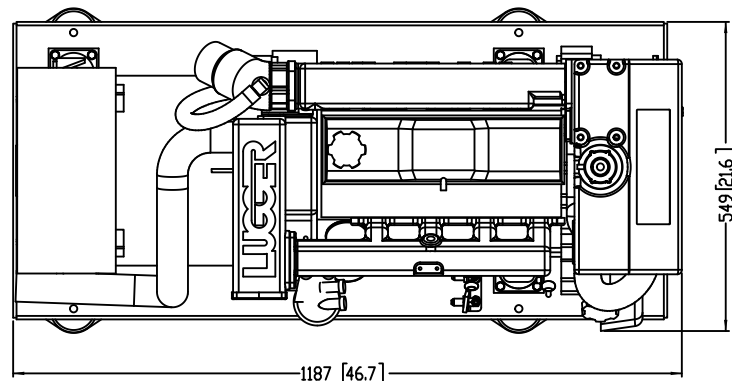
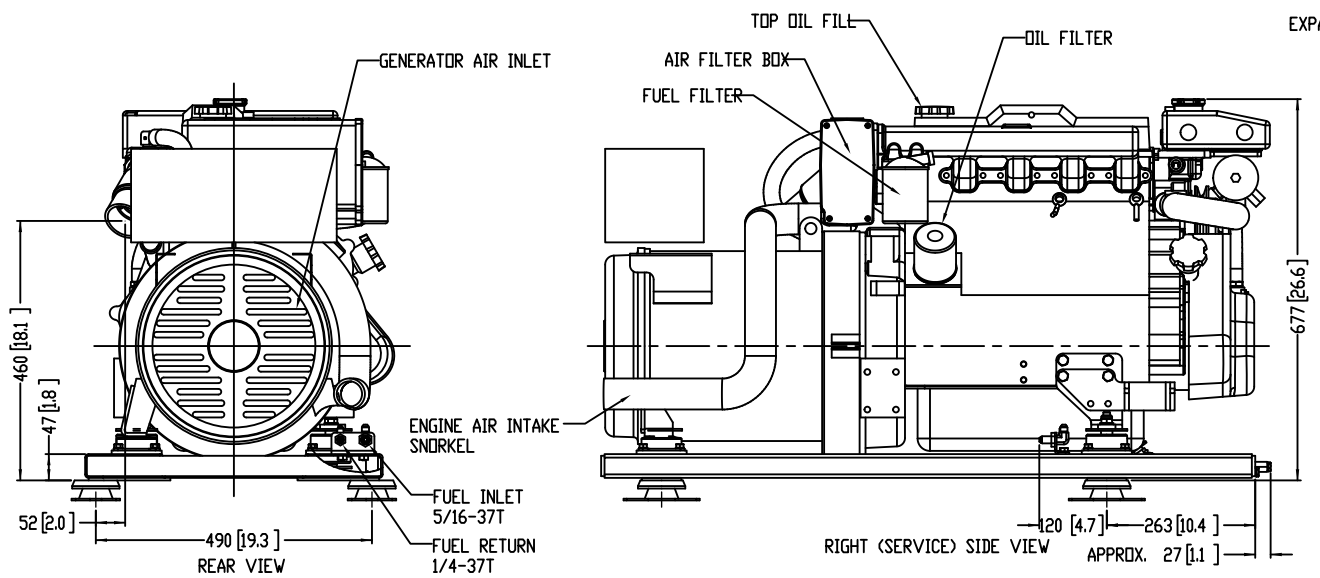
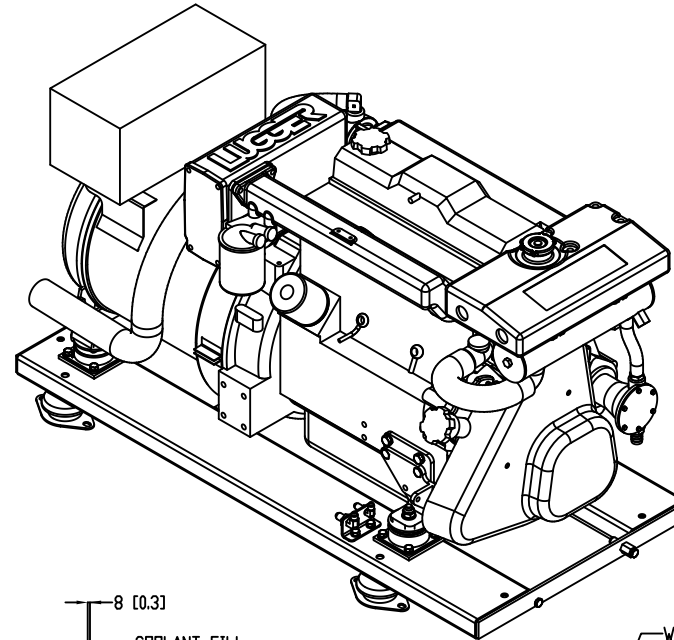


8 7 6 5 4 3 2 1

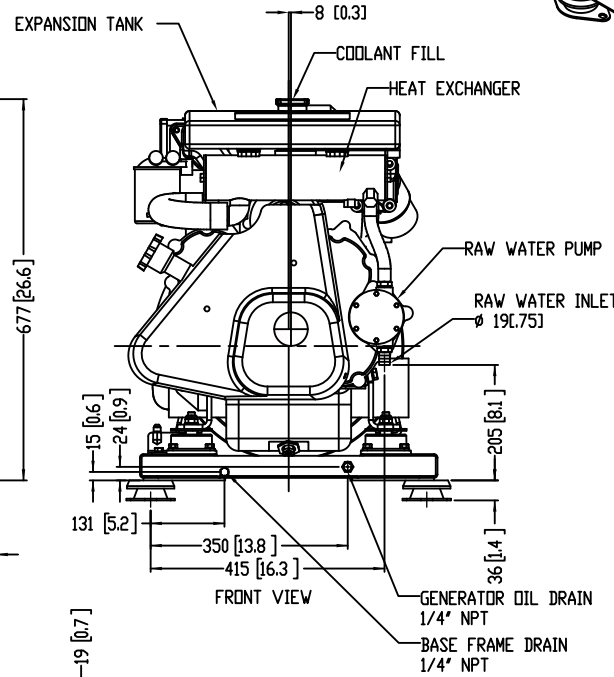


PLAN VIEW

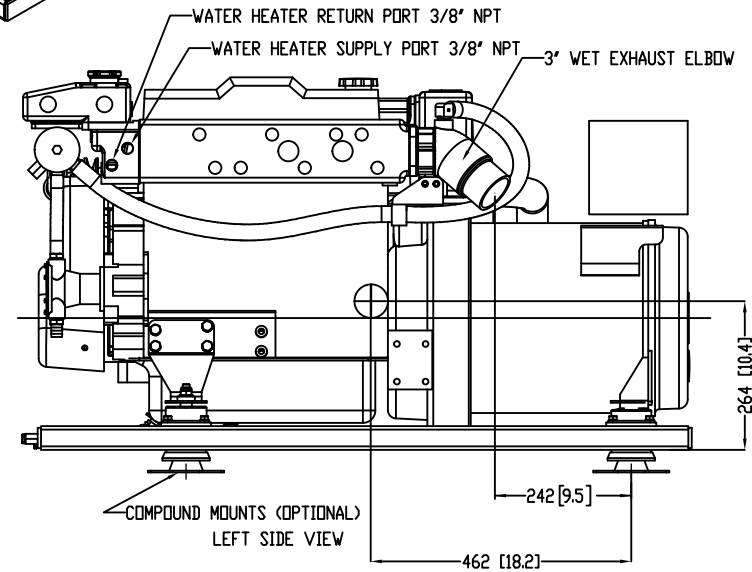


REAR VIEW

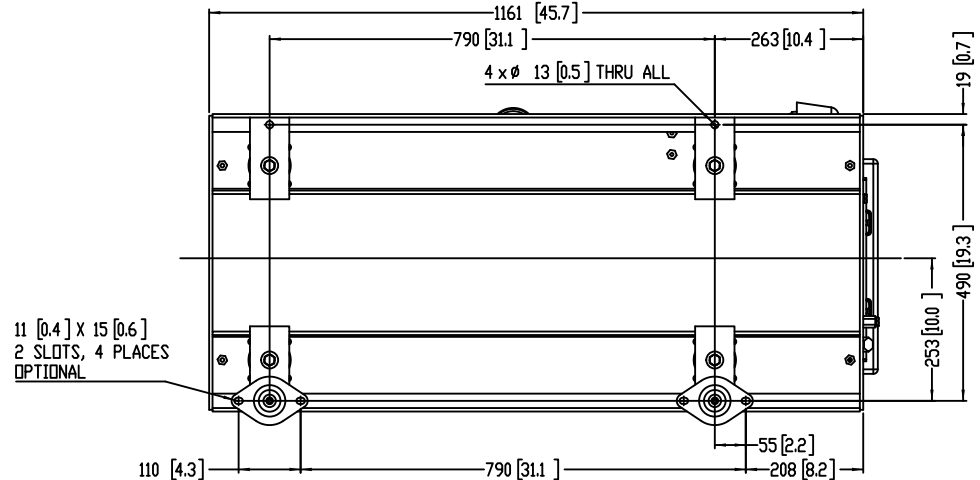
RIGHT (SERVICE) SIDE VIEW



FRONT VIEW

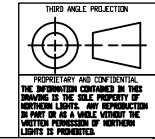


LEFT SIDE VIEW



BOTTOM VIEW

THE DIMENSIONS ON THIS DRAWING ARE SUBJECT TO CHANGE. PLEASE CONTACT NORTHERN LIGHTS INC TO BE SURE YOU HAVE THE MOST CURRENT VERSION.



UNLESS OTHERWISE SPECIFIED	NAME	DATE
DIMENSIONS ARE IN MILLIMETERS	GT	8/27/08
TOLERANCES:	CHECKED	
ANGLES:	ENG APPR.	
MACH ± 0.5° BEND ± 10°	MFG APPR.	
X ± 0.5	QA	
XX ± 0.3	COMMENTS:	
INTERPRET GEOMETRIC TOLERANCING PER ASME Y14.5M		
FINISH		
DO NOT SCALE		

<b>NORTHERN LIGHTS</b>		4420 14th AVE. N.W. Seattle, WA 98107 (206) 789-3880 www.northern-lights.com
TITLE: <b>INSTALLATION DIMENSIONS M864W3 GEM SERIES</b>		
SIZE: PART NO.	DWG. NO.	REV.
D	D-5126	
SCALE: 1:10	WEIGHT: 439 kg (967.8 lbs)	SHEET 1 OF 1

8 7 6 5 4 3 2 1

D B-SIZE