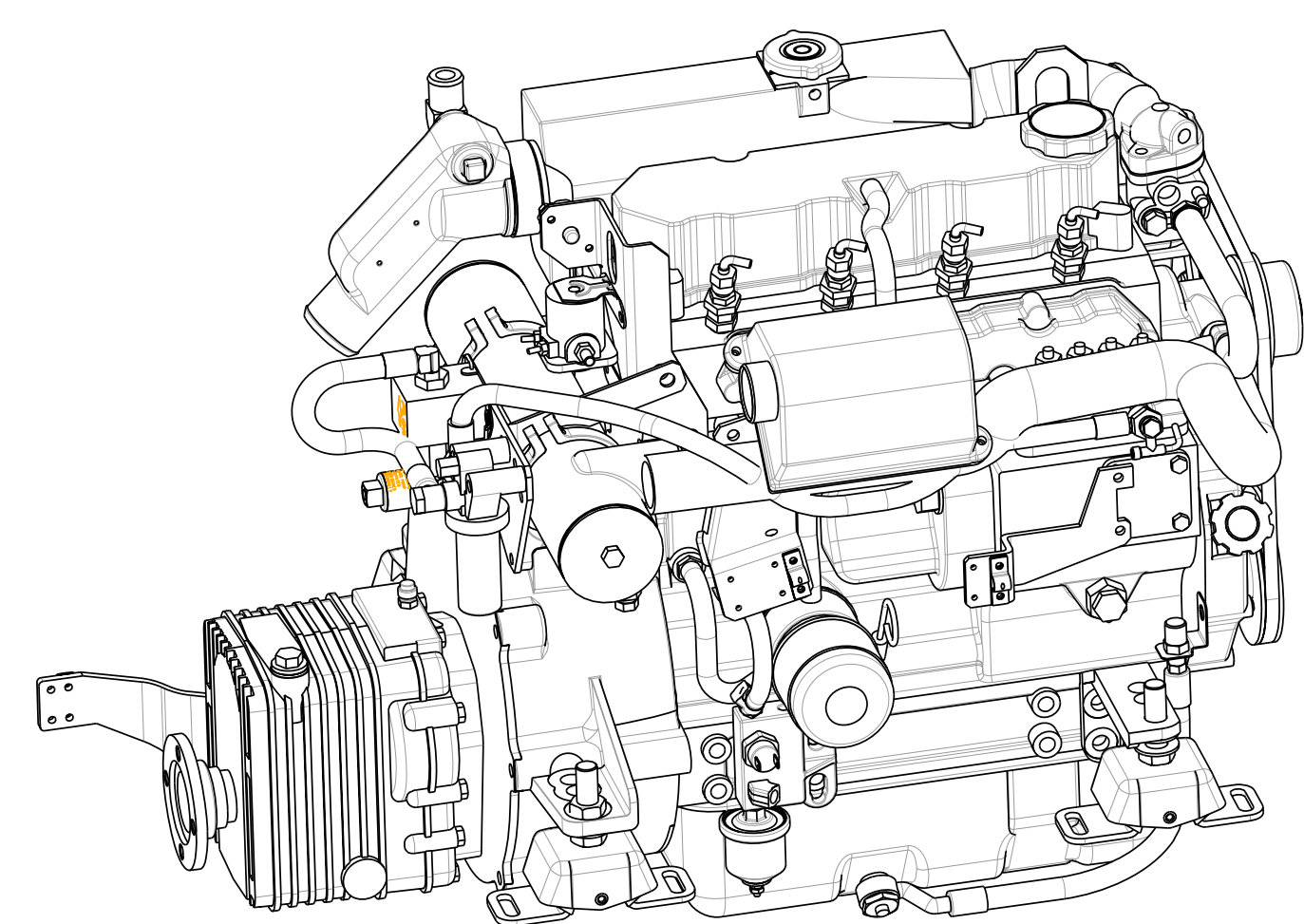
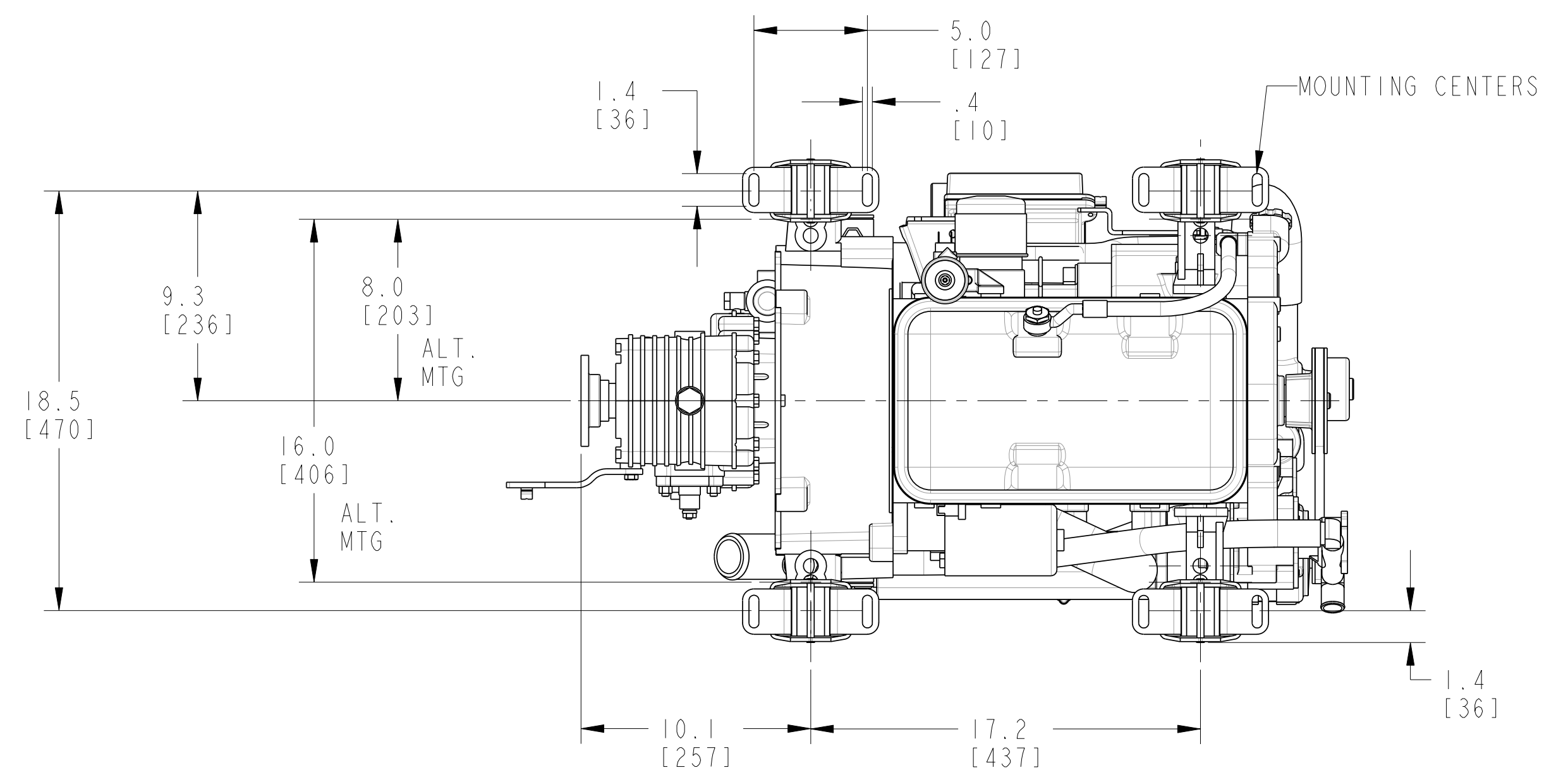
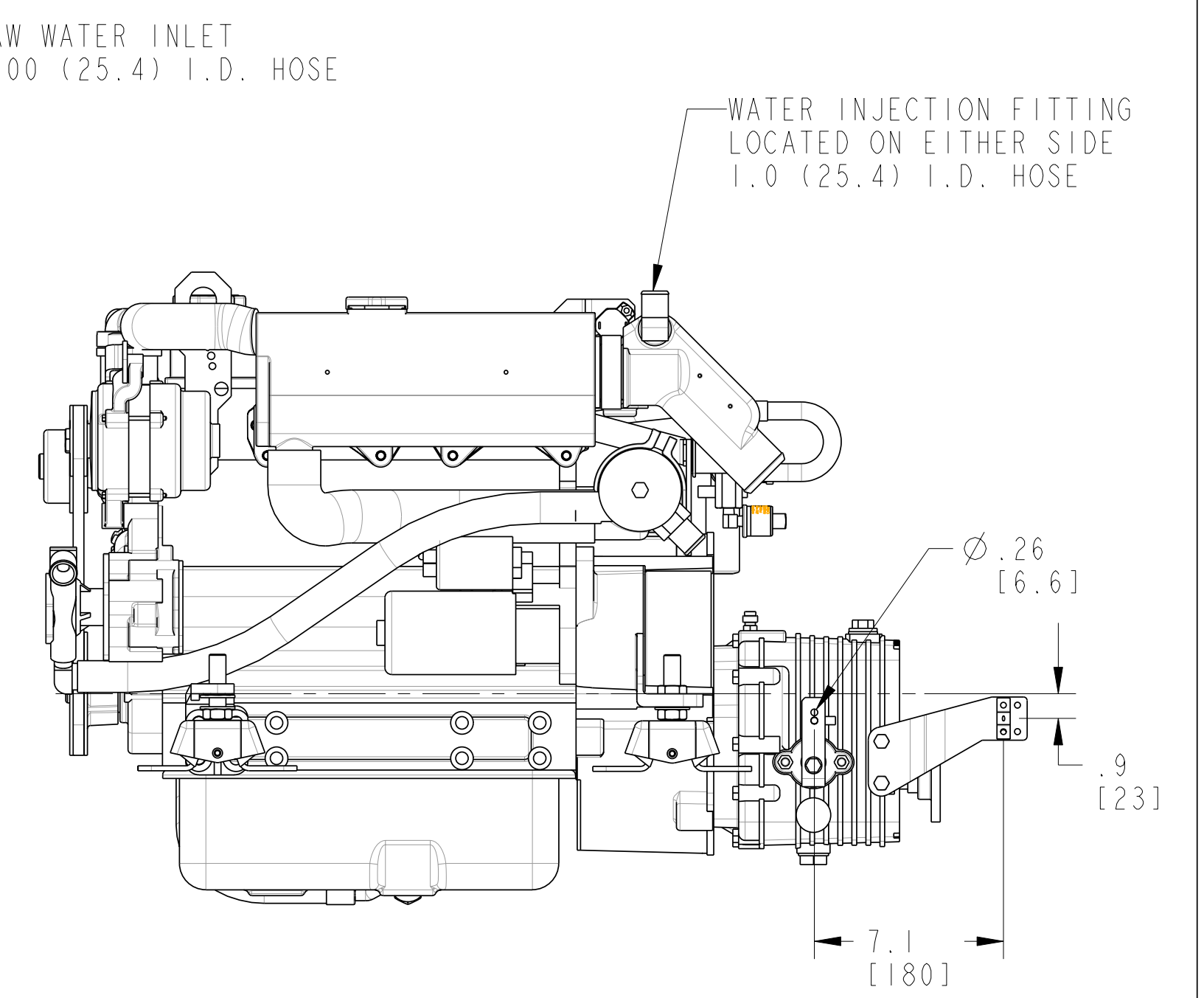
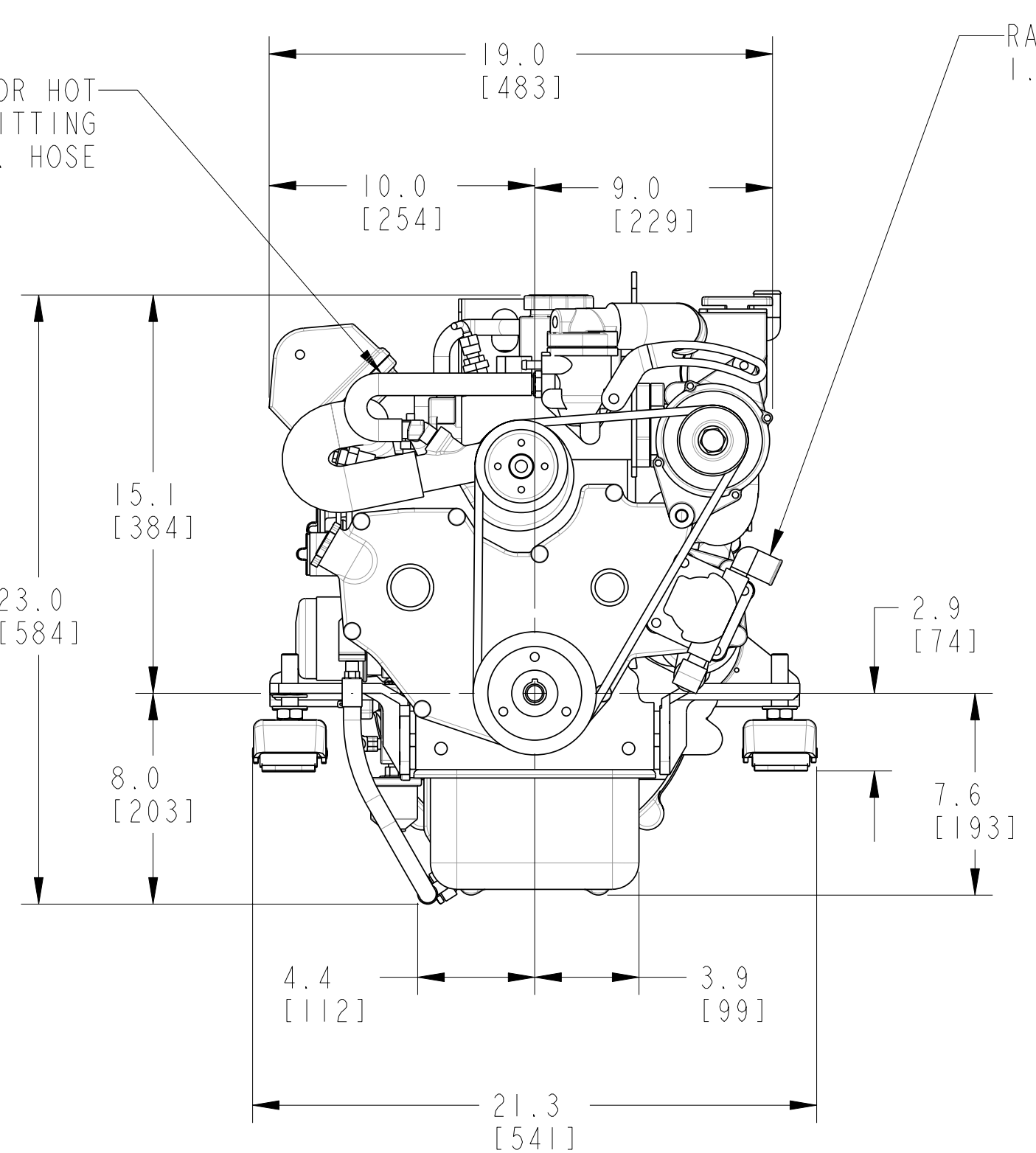
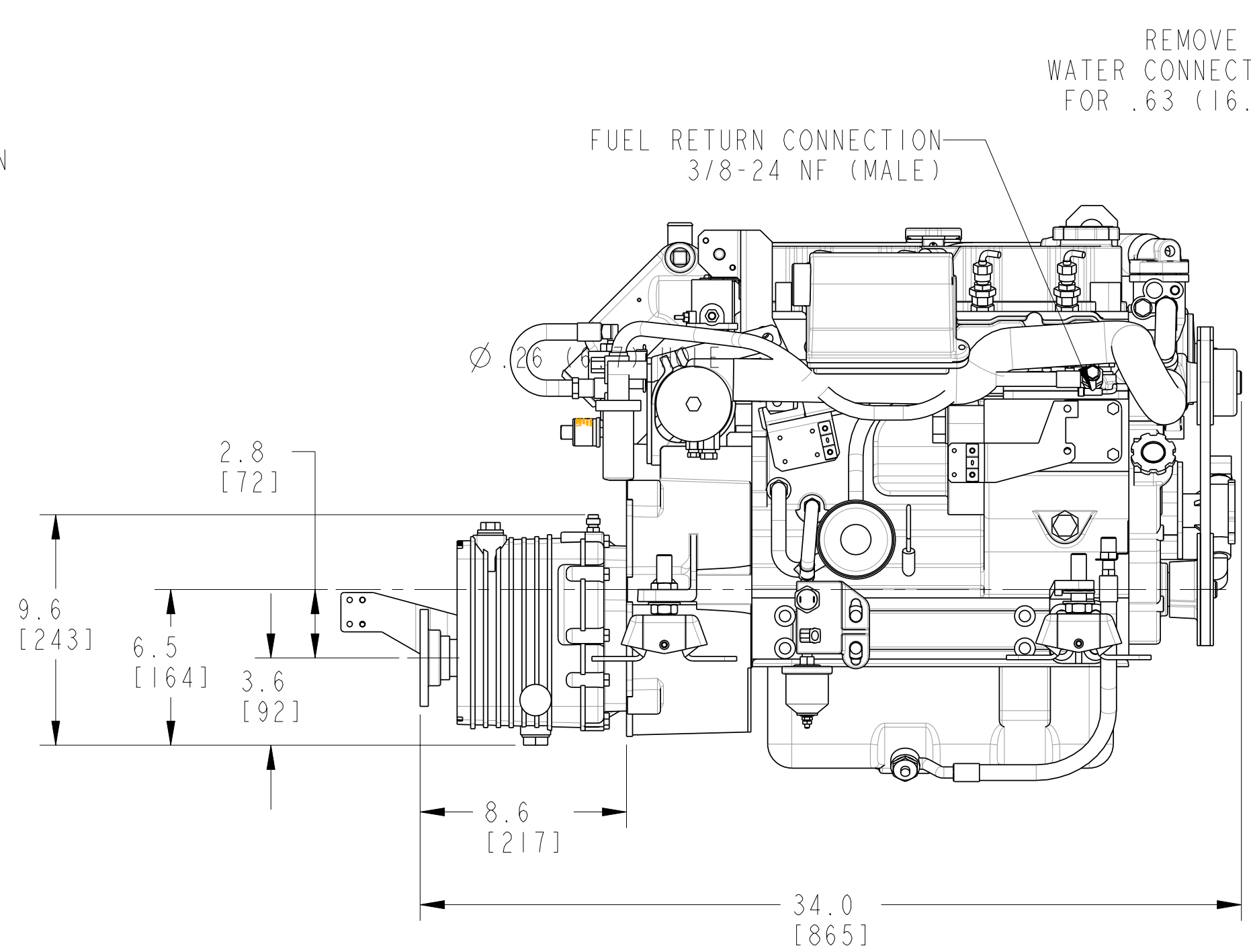


Ø .41 [10.5] THRU (4) HOLES
EQUALLY SPACED
ON A 3.25 [82.5] Ø B.C.



MODEL WITH 50 AMP ALTERNATOR

TOLERANCES (UNLESS OTHERWISE NOTED)		WESTERBEKE CORPORATION TAUNTON, MA. 02780			
INCHES	MILLIMETERS	TITLE			
.XX : .02	X. ± 1.0	INSTALLATION DRAWING			
.XXX : .005	.X ± .5	44C FOUR WITH PRM120 TRANSMISSION			
CAST : .03	.XX ± .13	DRAWN BY	DATE	MATERIAL	
ANGLES : .5°		GA	21/Jul/2010		
FINISH		APPROVED BY	DATE		
DIMENSIONS		SCALE 3/16		SIZE	DRAWING NUMBER
INCHES ← MILLIMETERS →		SHT. 1 OF 1		D	54875
(WHEN APPLICABLE)					REV.