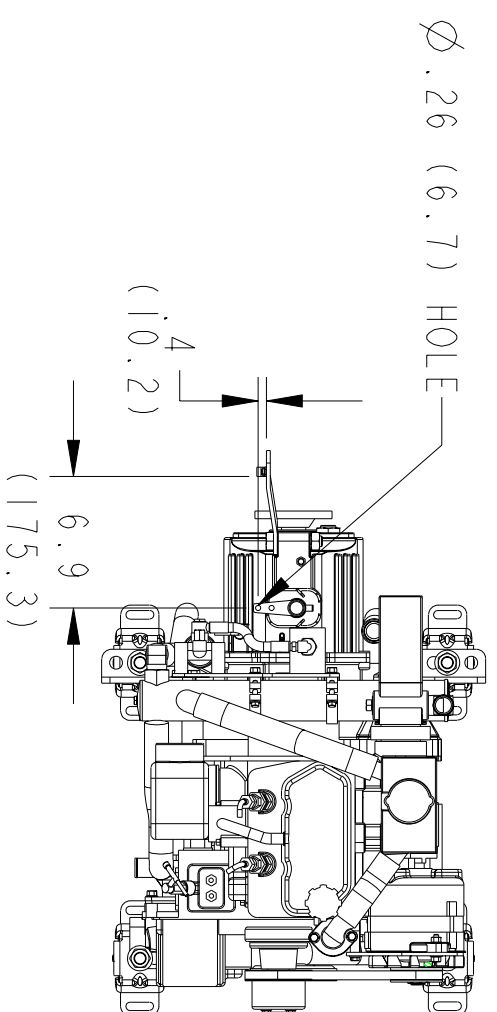
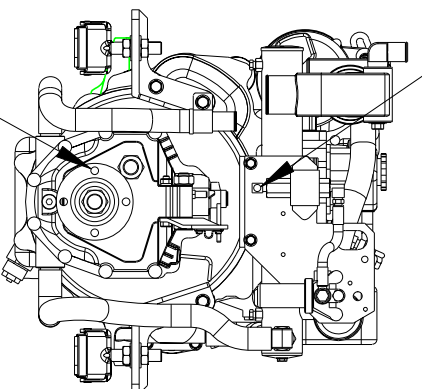


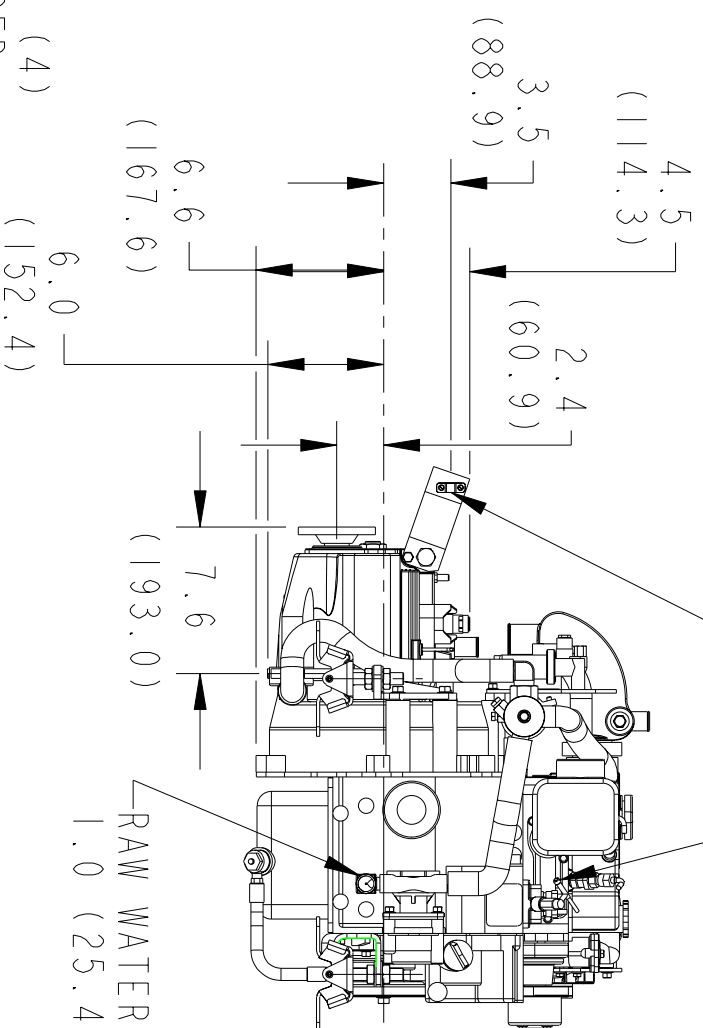
ECO NO.	DATE	REV.	REVISION RECORD	AUTH.	DR. BY
4085	5-10 1999	C	CHANGED SCALE .250 TO .100 CHANGE DRAWING FORMAT FROM D TO C SIZE		JM



FUEL INLET CONNECTION
1/8-27 NPT (FEMALE)



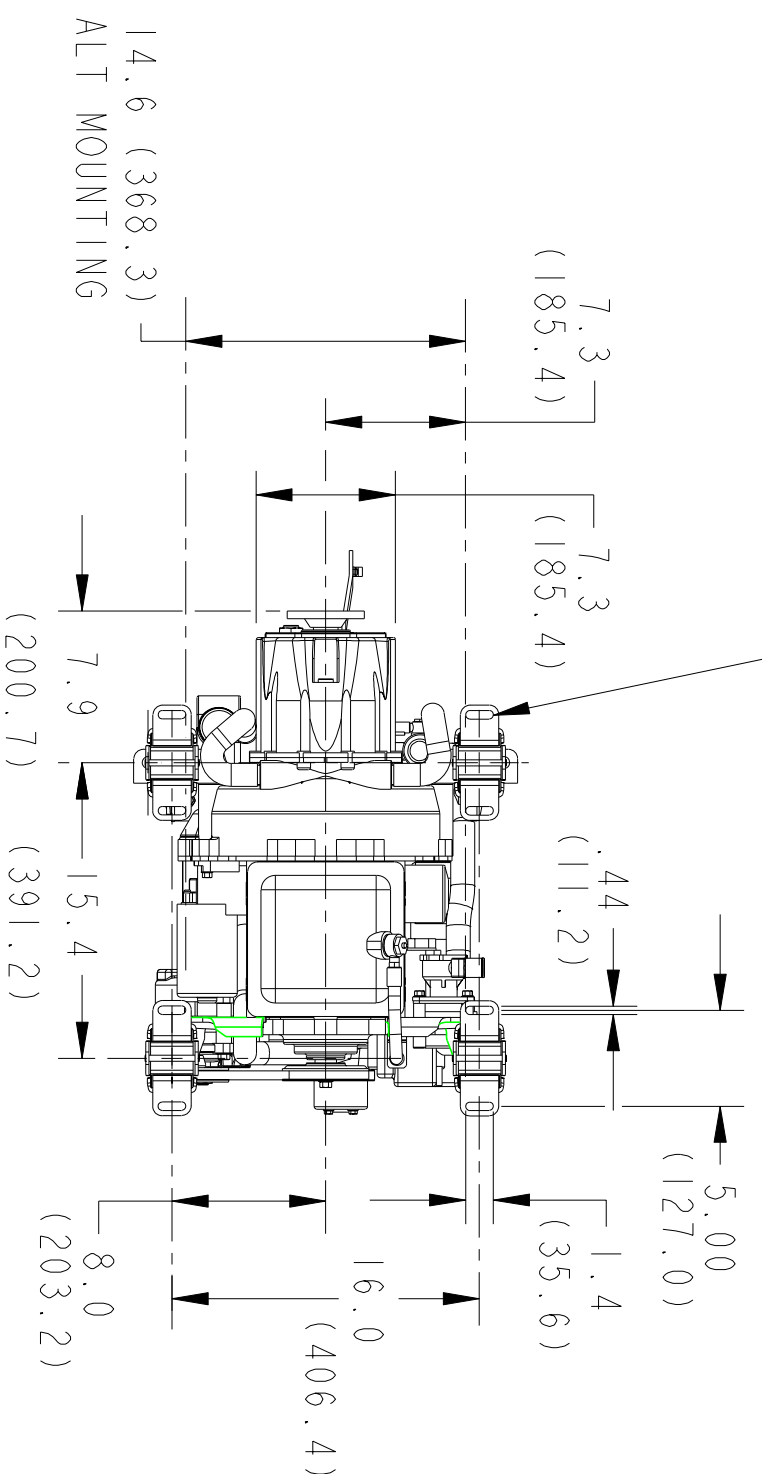
CLAMP FOR 33C CABLE
OR EQUIVALENT



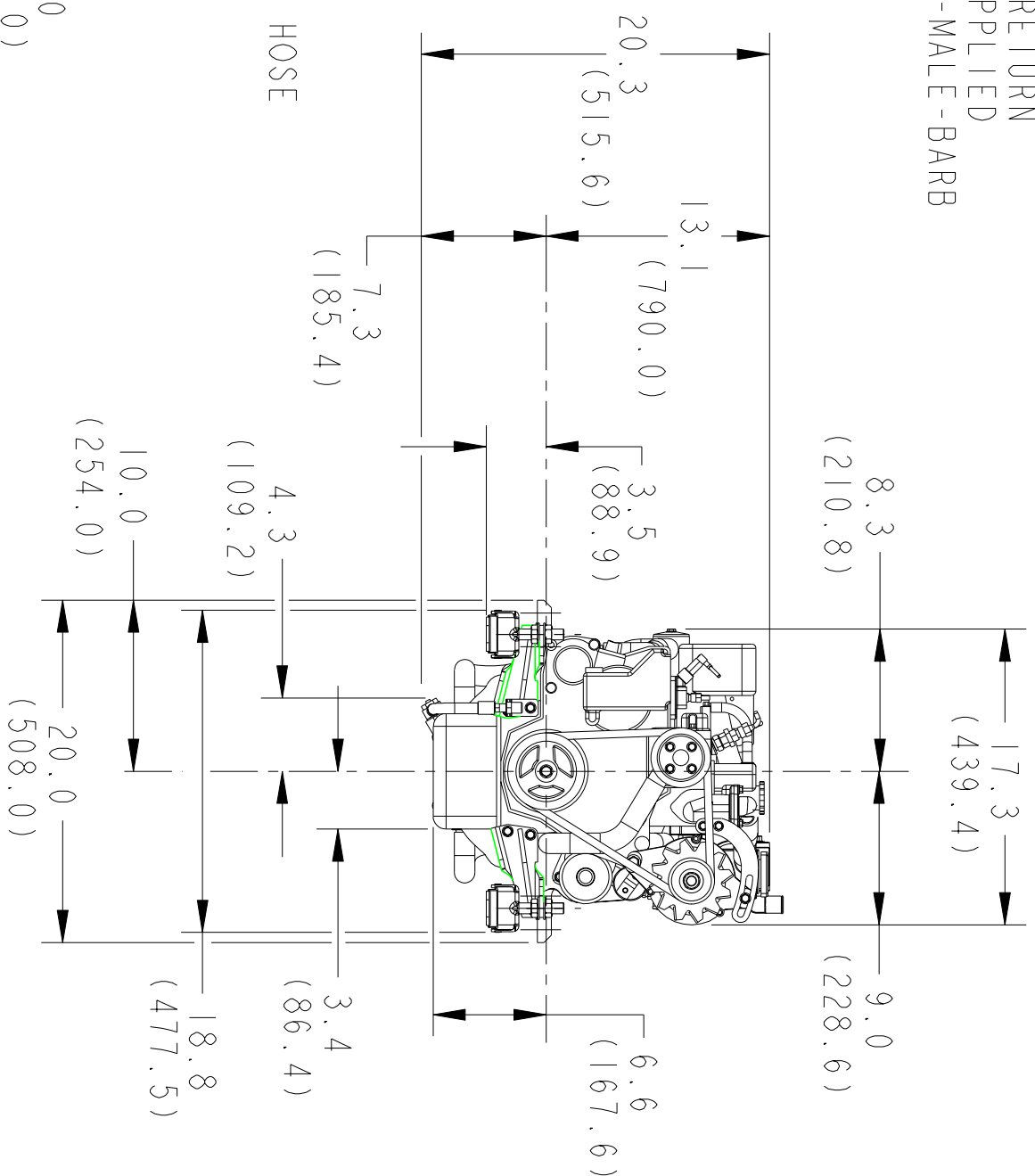
SPECIAL FUEL RETURN
CONNECTION SUPPLIED
1/4 INCH-HOSE-MALE-BARB

RAW WATER INLET
1.0 (25.4) I.D. HOSE

MOUNTING CENTERS

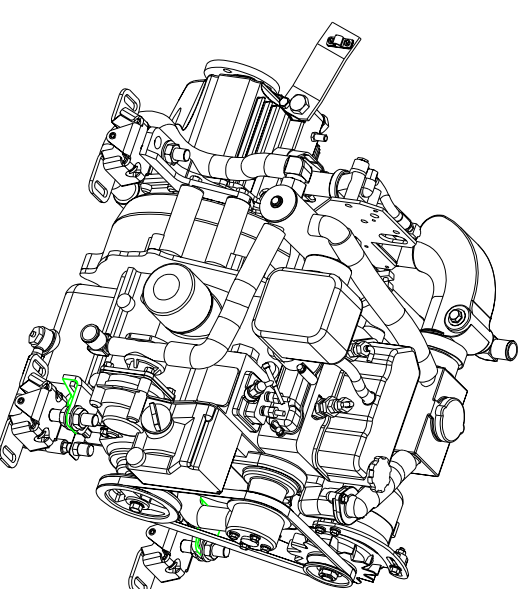


EXHAUST OUTLET
2.0 (50.8) I.D. HOSE



WATER INJECTION FITTING
LOCATED ON EITHER SIDE
1.0 (25.4) I.D. HOSE

RAW WATER DISCHARGE
1.0 (25.4) I.D. HOSE



SCALE 0.100

TOLERANCES (UNLESS OTHERWISE NOTED)		TITLE	
INCHES	WILLIMETERS	WESTERBEKE CORPORATION	
.XX	.02	AVON MA. 02322	
.XXX	.005	INSTALLATION DRAWING	
CAST	.03	W20B TWO WITH JS TRANSMISSION	
ANGLES	.5°	DRAWN BY JU	
FINISH	✓	DATE 2-27-87	
DIMENSIONS		APPROVED BY	
INCHES		DATE	
MILLIMETERS		SCALE .100	
(WHEN APPLICABLE)		SIZE C	
		DRAWING NUMBER 36543	
		REV. C	