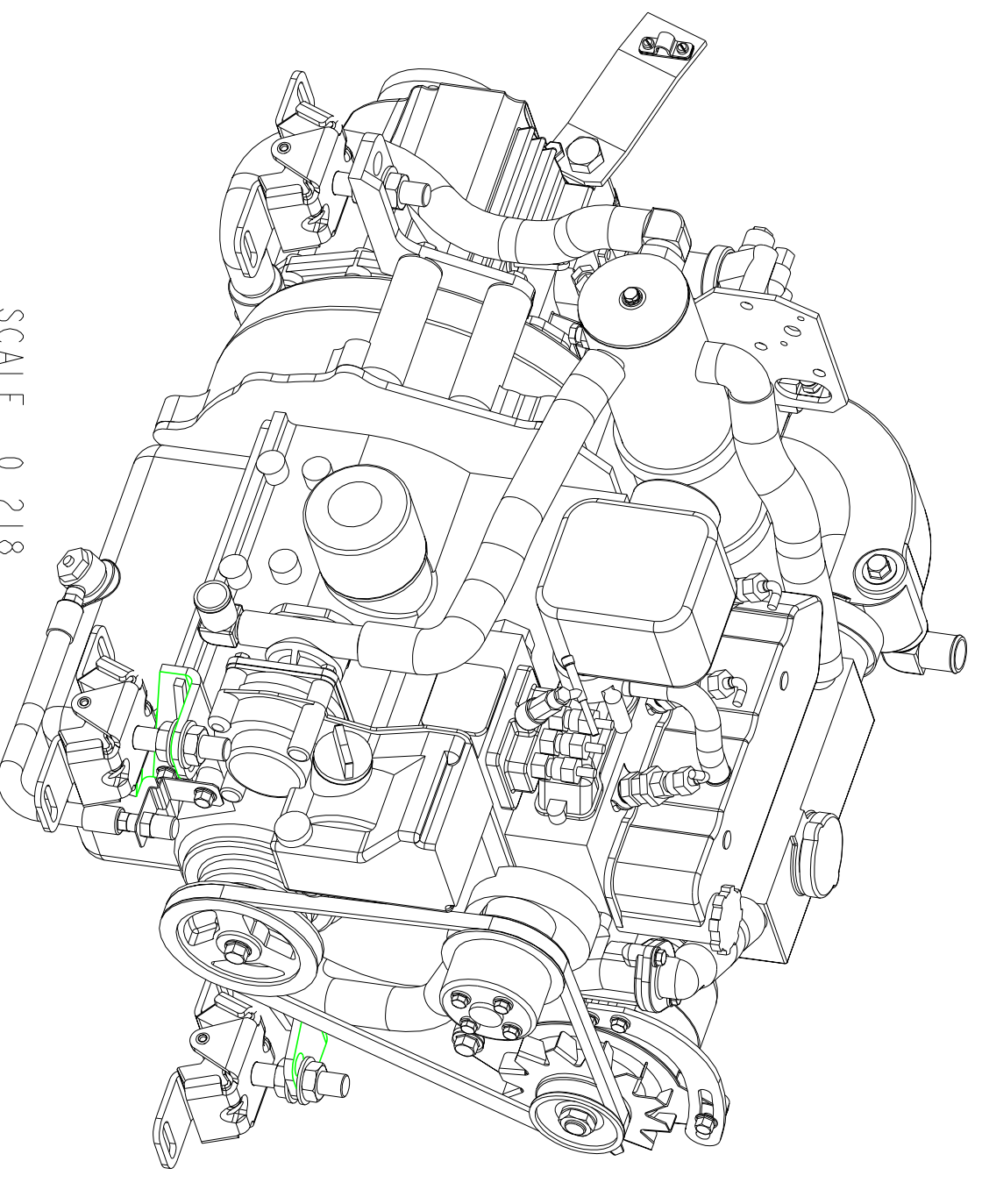
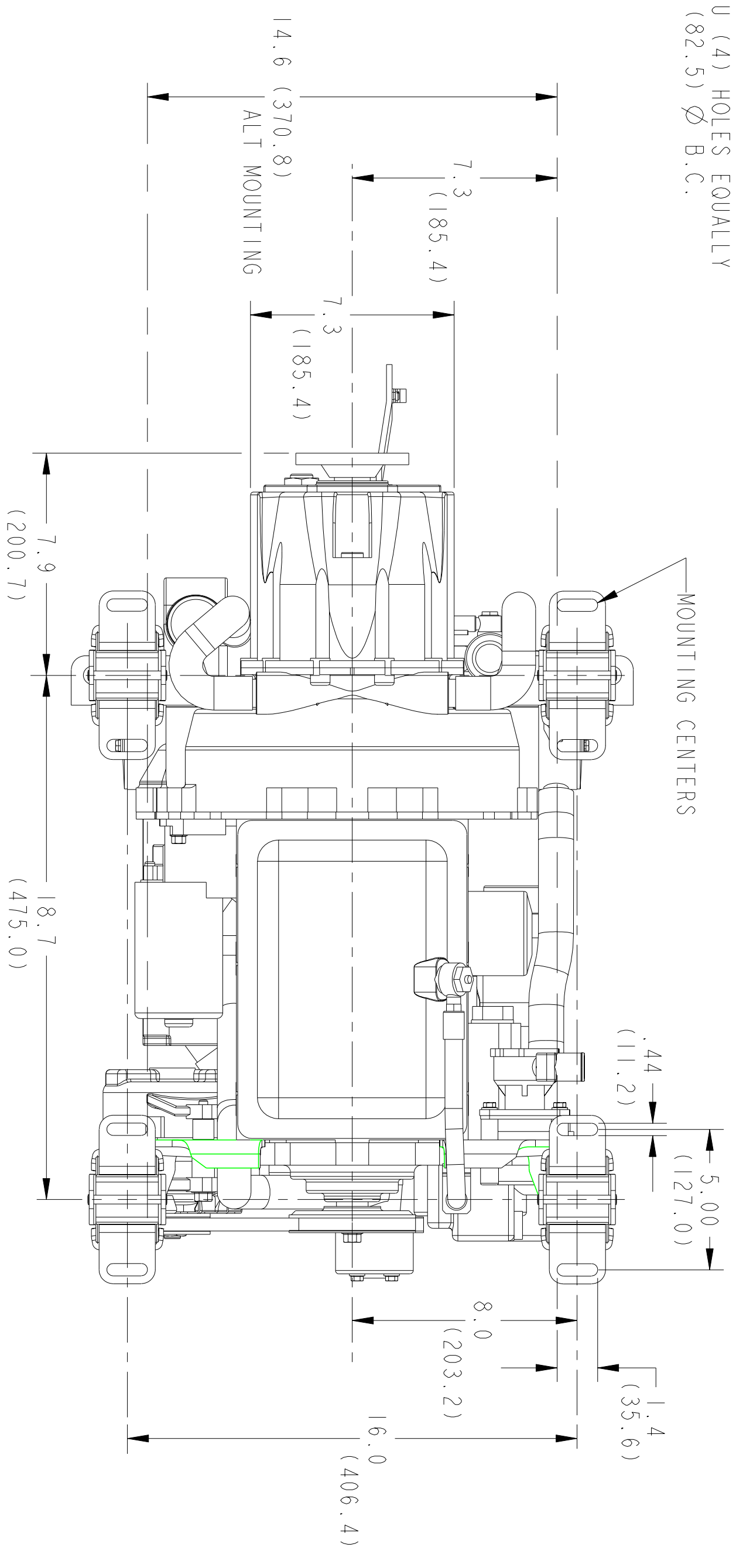
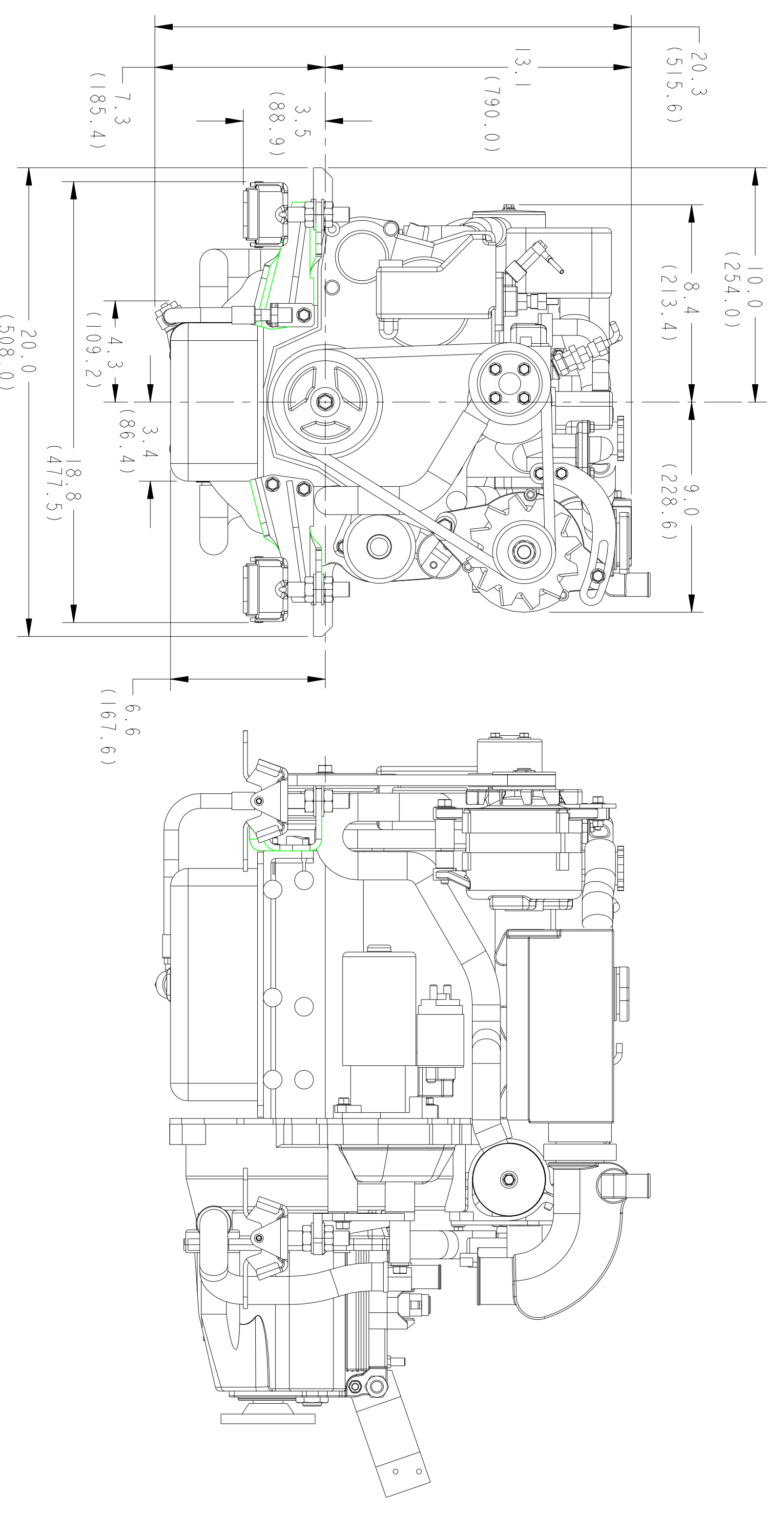
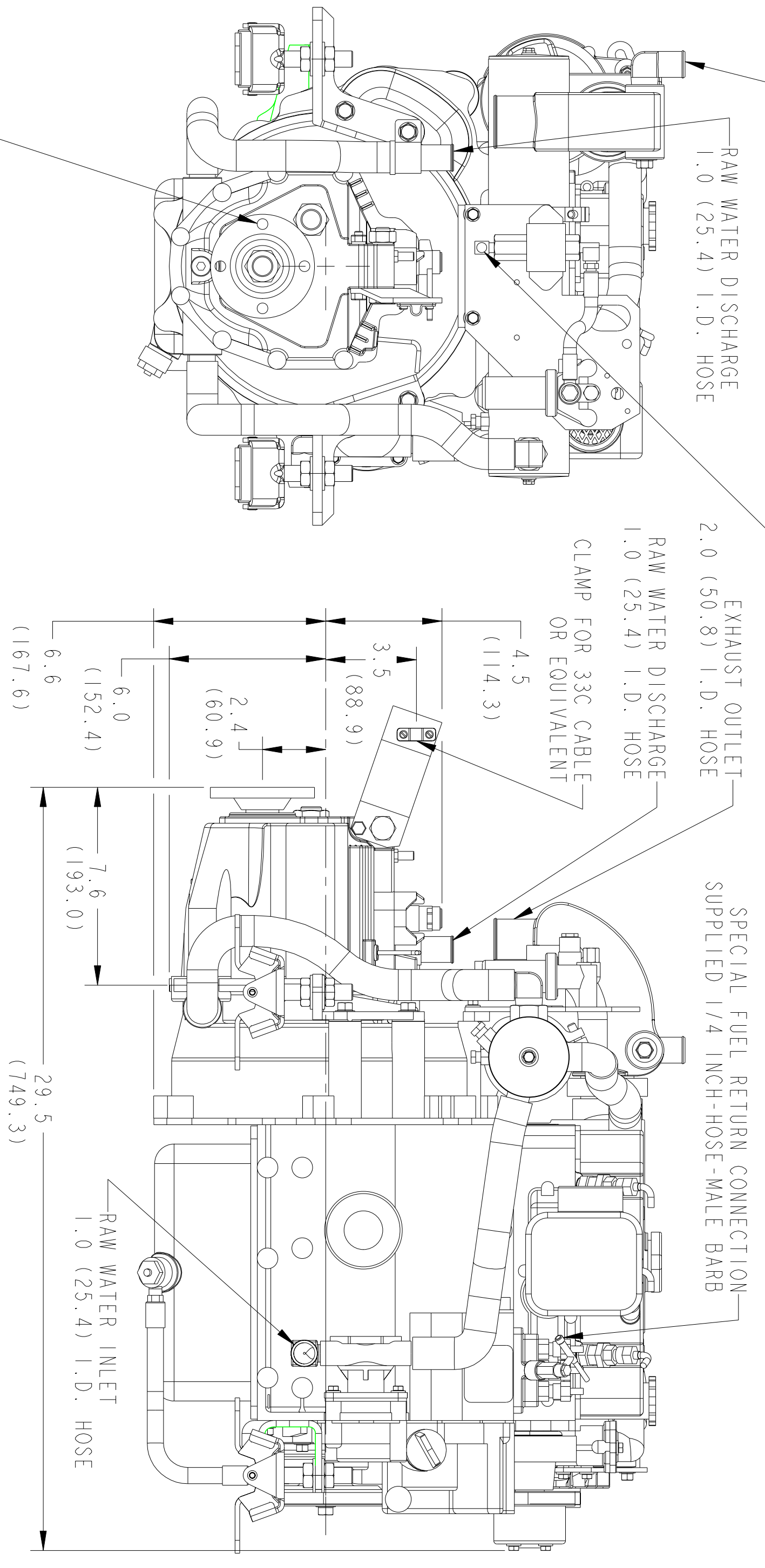
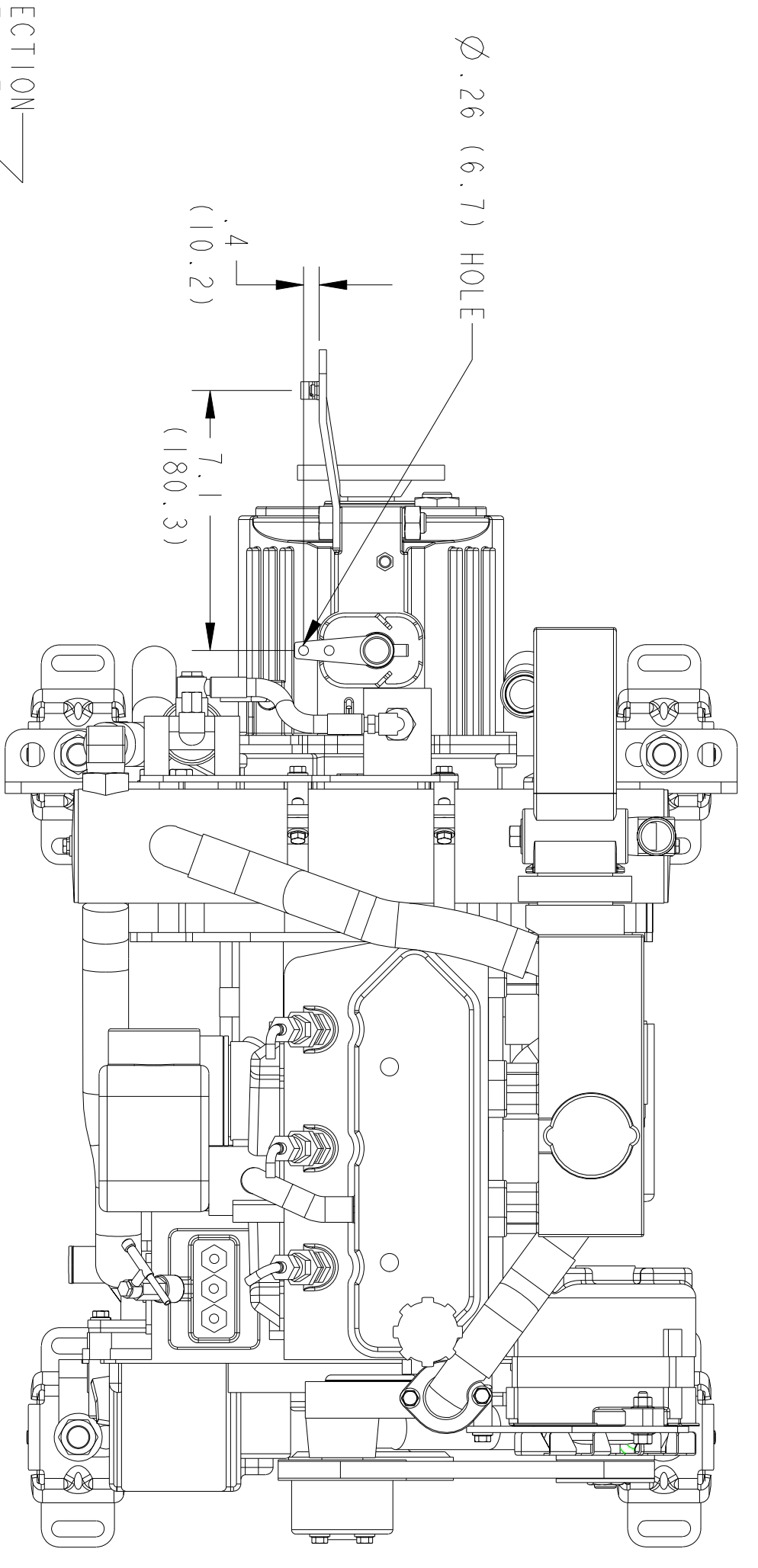


ECO NO.	DATE	REV.	REVISION RECORD	AUTH.	DR. BY
3940	1-13 1999	B	REVISED AND REDRAWN		JM
4291	11-9 1999	C	ADDED ALT MOUNTING CENTER 14.6		JM



TOLERANCES (UNLESS OTHERWISE NOTED)		WESTERBEKE CORPORATION AVON, MA. 02322	
INCHES	MILLIMETERS	TITLE	
XX : .02	X : .1	INSTALLATION DRAWING	
CAST : .03	XX :	W30B THREE WITH JS TRANSMISSION	
ANGLES : .5°	XX :	DRAWN BY	
FINISH : S	XX :	DATE	
DIMENSIONS		APPROVED BY	
INCHES		DATE	
MILLIMETERS		MATERIAL	
SCALE 1/4		SITE	
SHT. 1 OF 1		DRAWING NUMBER	
		D 36542	
		REV. C	