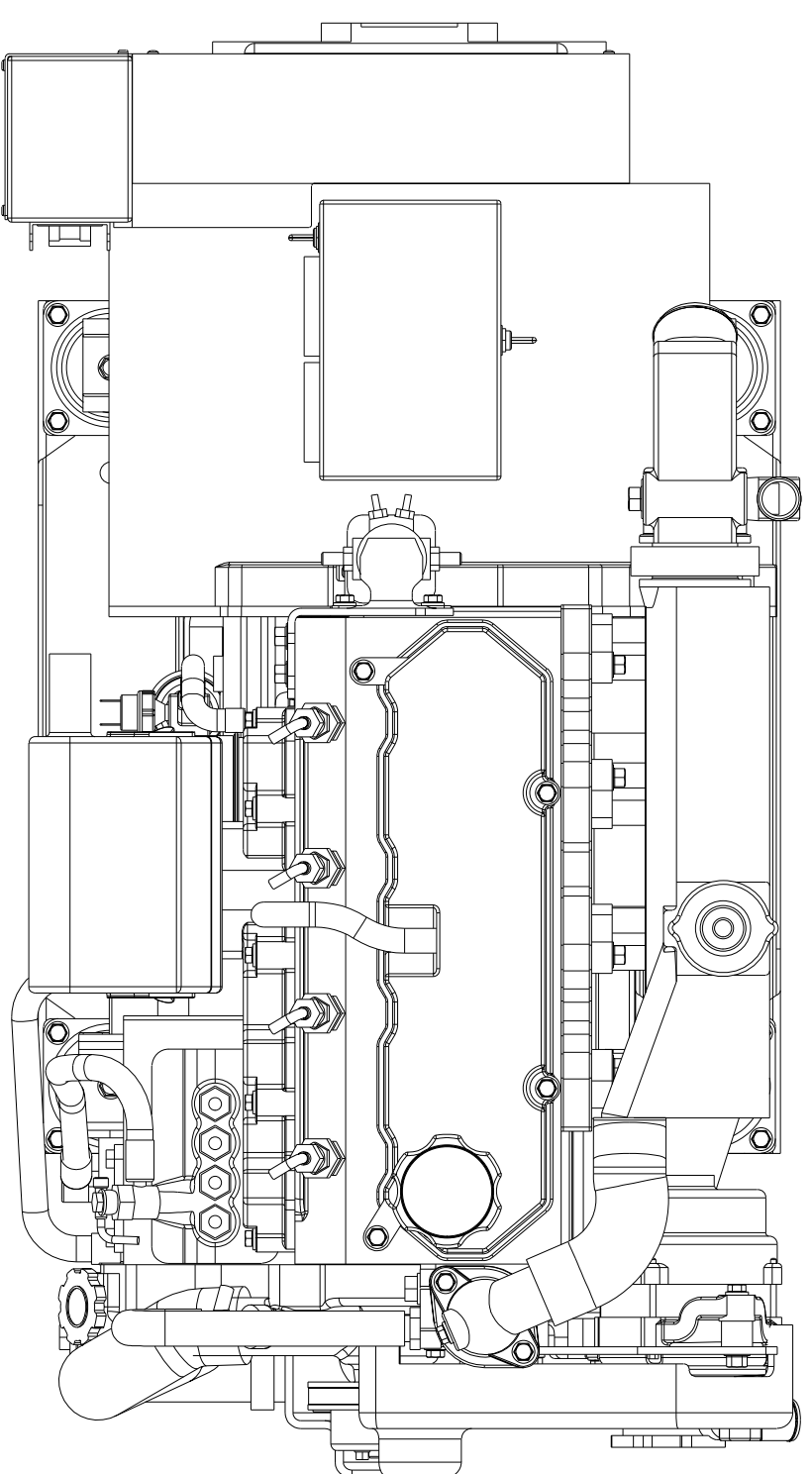


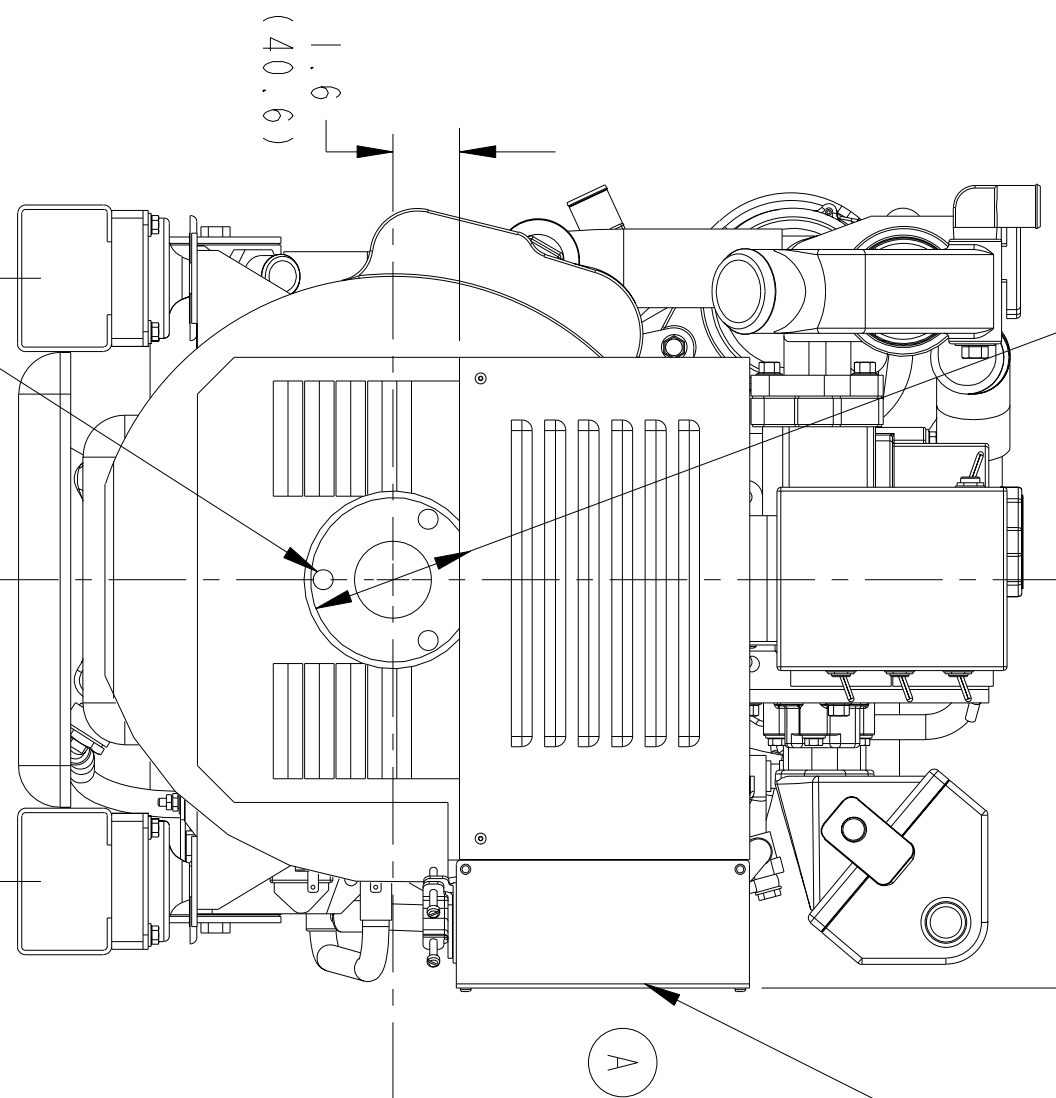
ECO NO.	DATE	REV.	REVISION RECORD	AUTH.	DR. BY
4325	11-30-1999	A	REVISED BREAKER BOX MOUNTING		JM



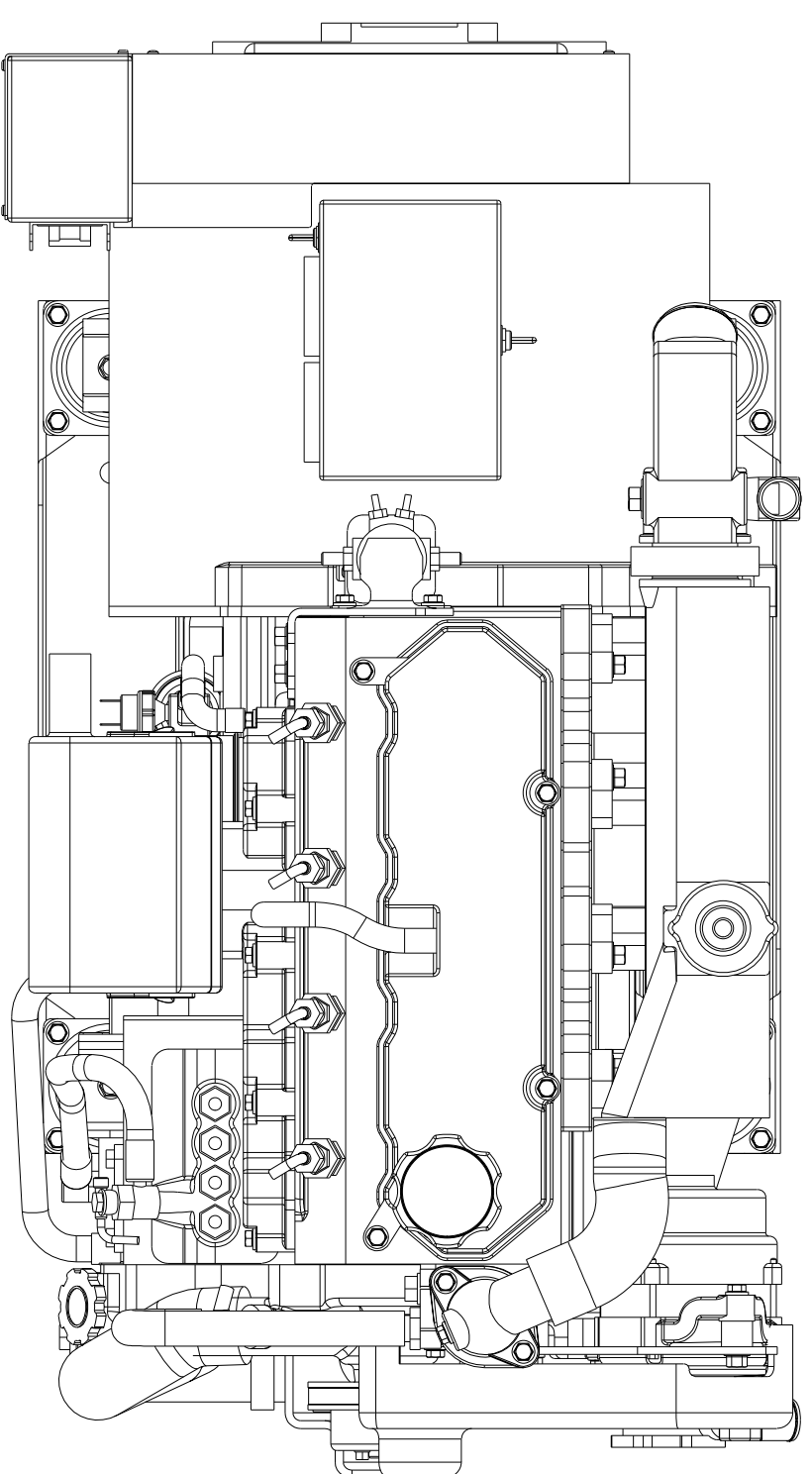
AC OUTPUT CIRCUIT BREAKER

Ø 3.9 (100.0) BY .10 (2.5) DEEP

9.8
(248.9)



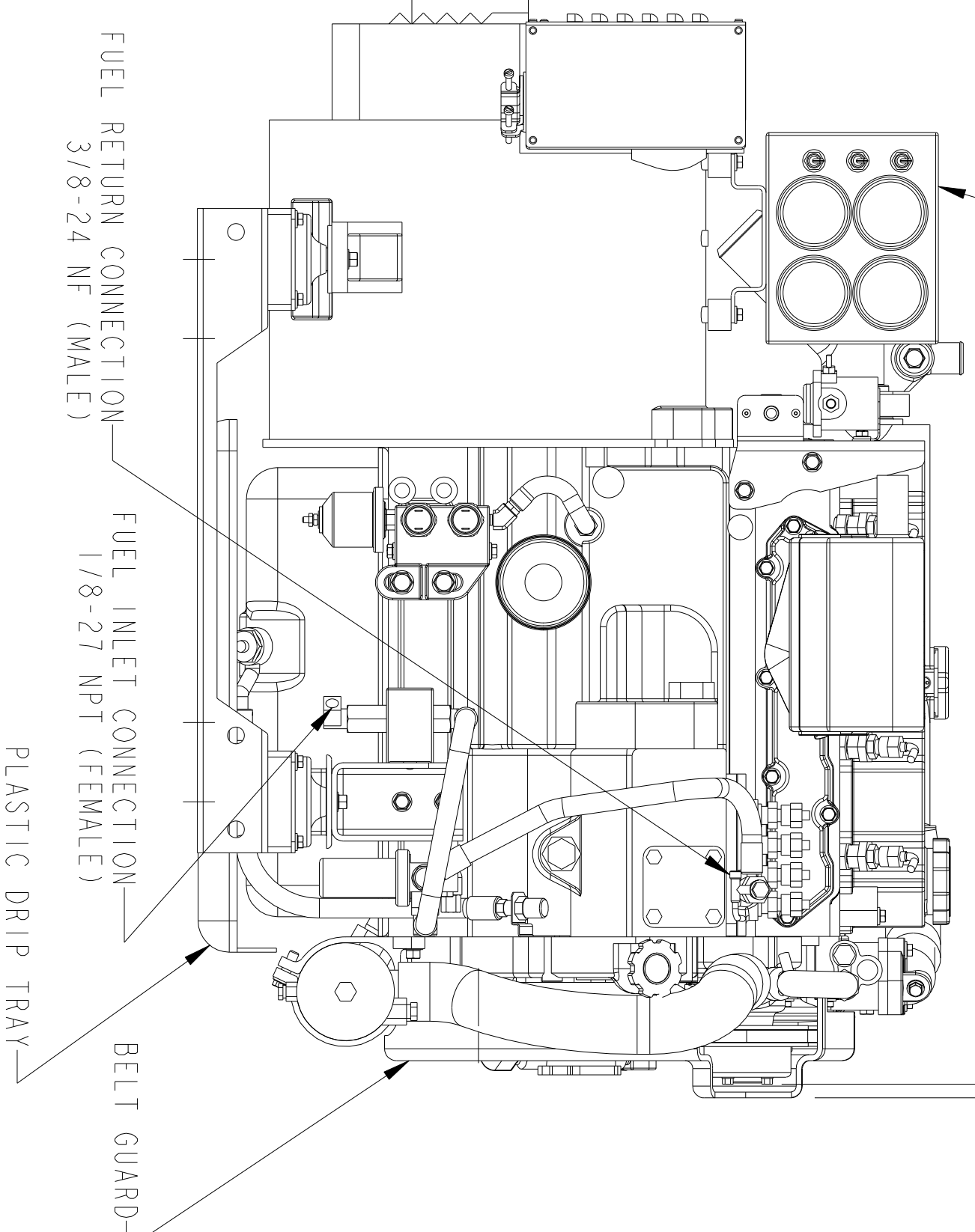
M12 x .75 THREAD, 1.0 (25.4) DEEP
(3) HOLES EQUALLY SPACED ON A
Ø 3.34 (85.0) B.C.



INSTRUMENT PANEL

34.6
(878.8)

.4 REF
(10.2)



FUEL RETURN CONNECTION
3/8-24 NF (MALE)

FUEL INLET CONNECTION
1/8-27 NPT (FEMALE)

BELT GUARD

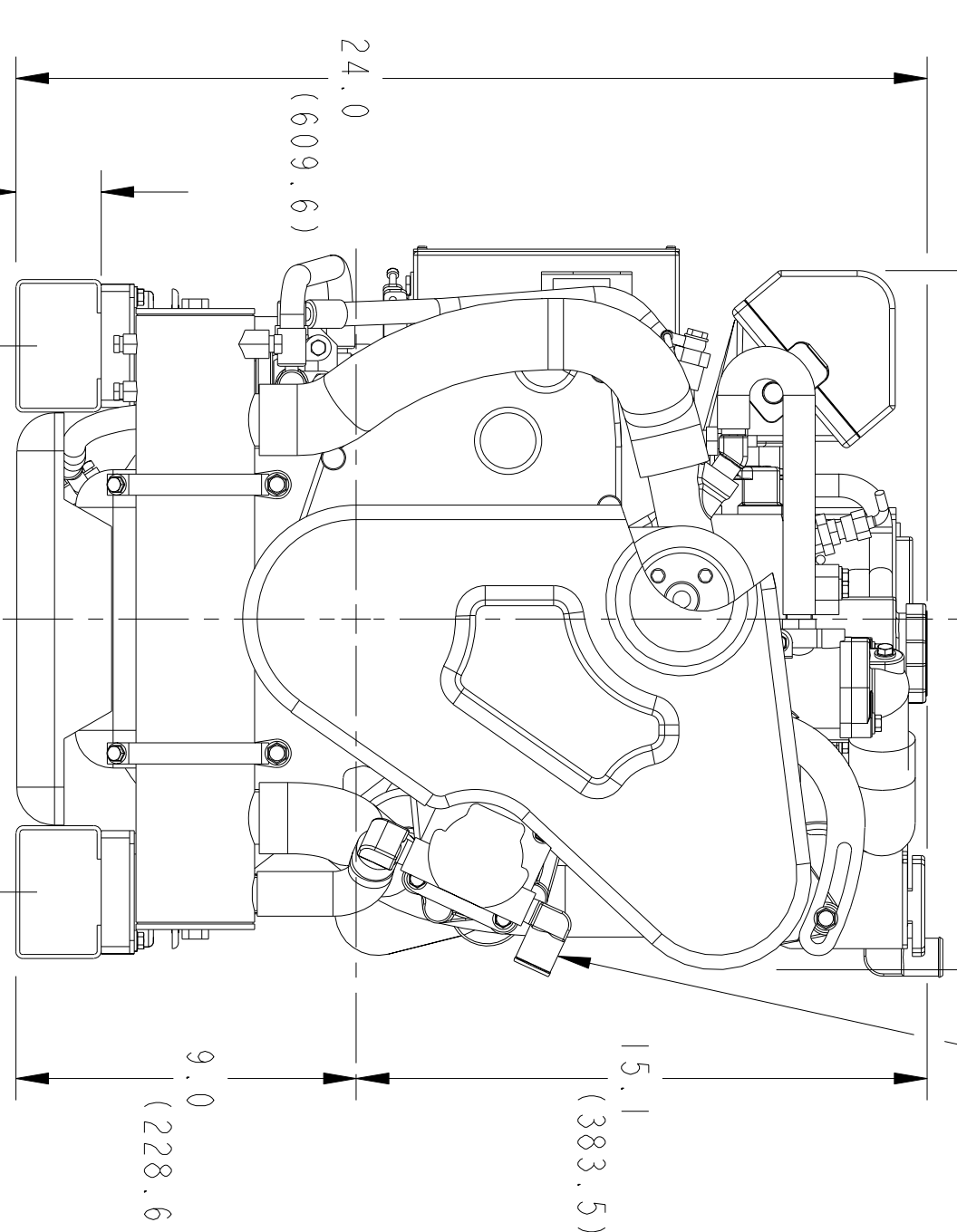
PLASTIC DRIP TRAY

RAW WATER INLET
1.0 (25.4) I.D. HOSE

18.4
(467.4)

9.2
(233.7)

9.3
(236.2)



24.0
(609.6)

2.3
(58.4)

15.1
(383.5)

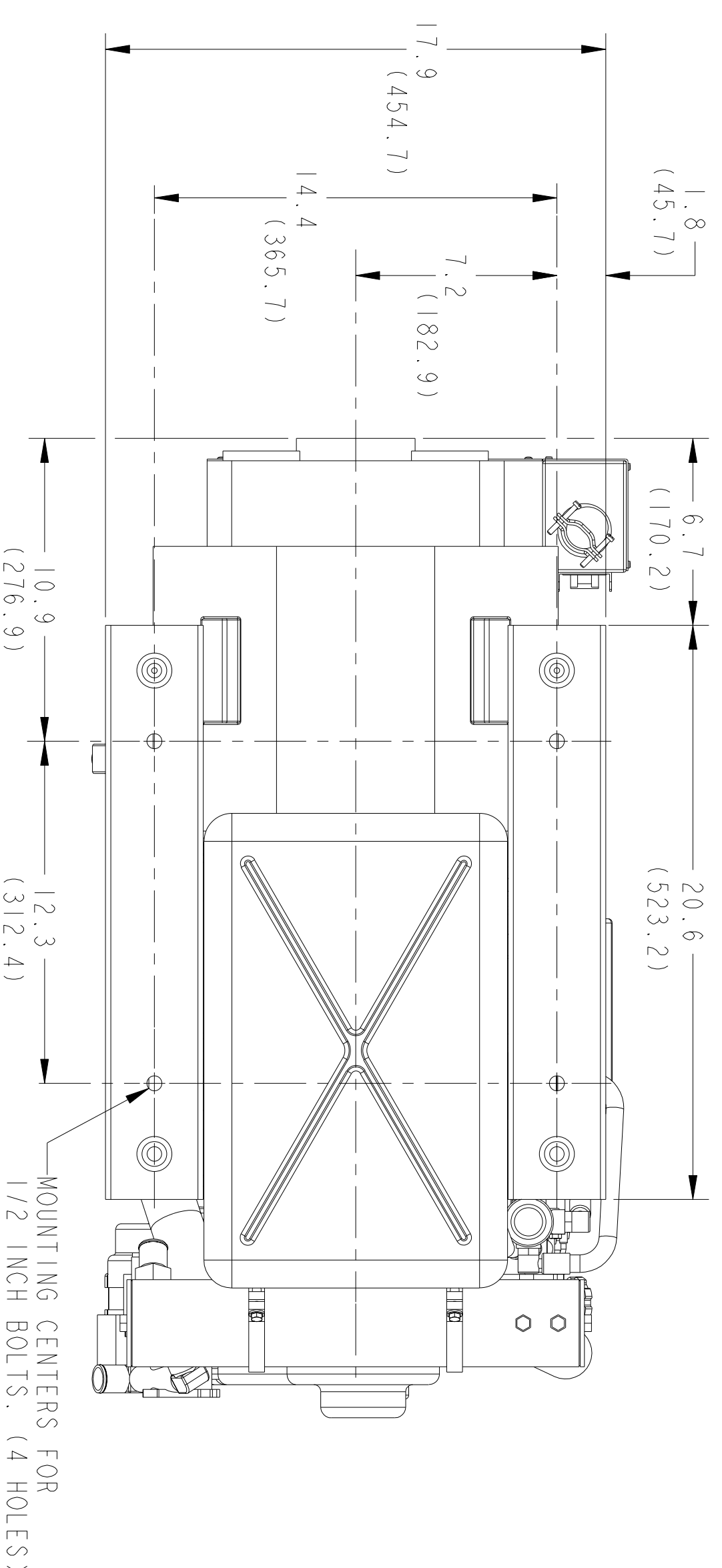
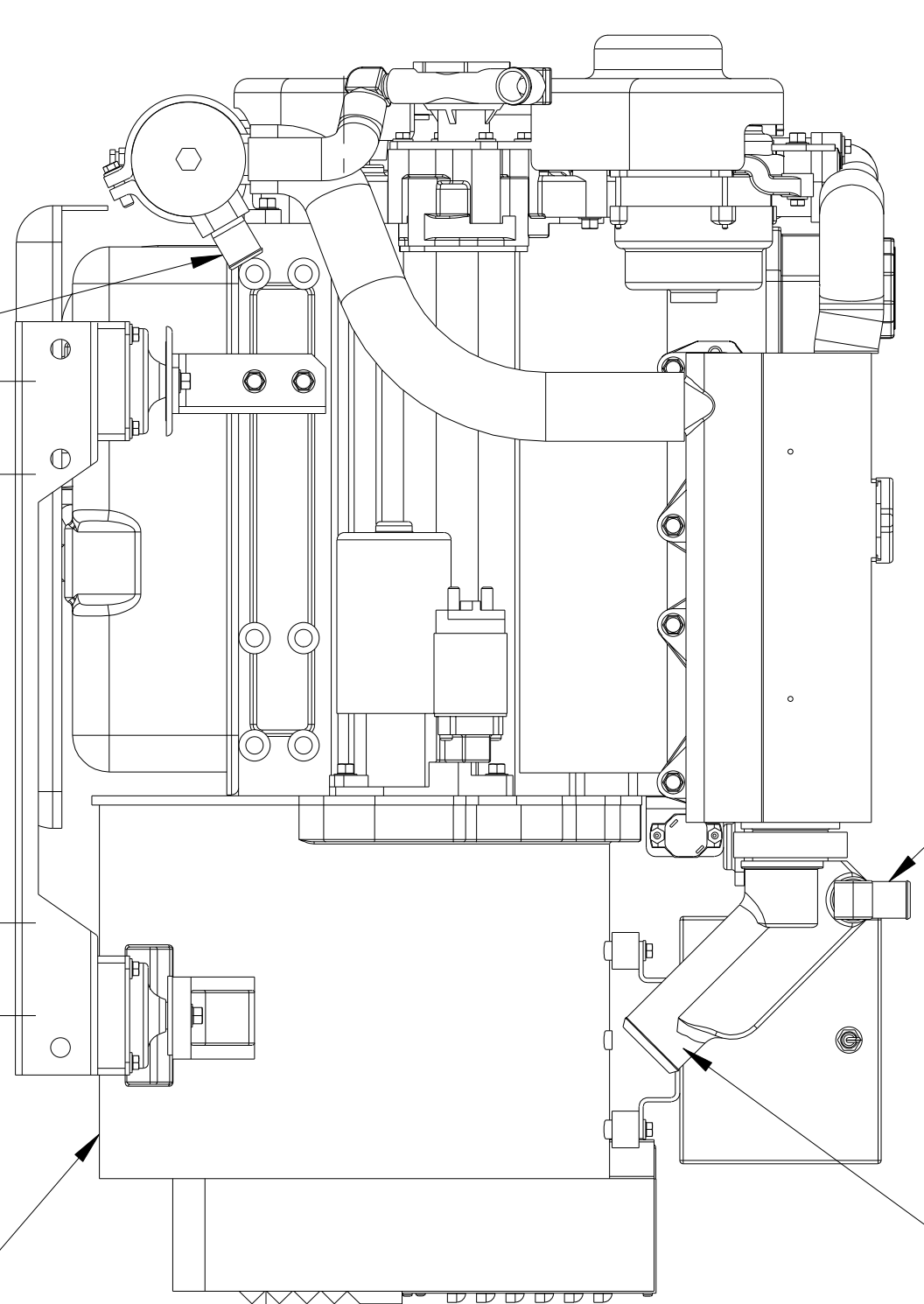
9.0
(228.6)

WATER INJECTION FITTING
1.0 (25.4) I.D. HOSE

EXHAUST OUTLET
2.0 (50.8) I.D. HOSE

RAW WATER DISCHARGE
1.0 (25.4) I.D. HOSE

BRUSHLESS GENERATOR
12.5 KW @ 60 HZ
15.0 KW @ 60 HZ



1.8
(45.7)

7.2
(182.9)

17.9
(454.7)

14.4
(365.7)

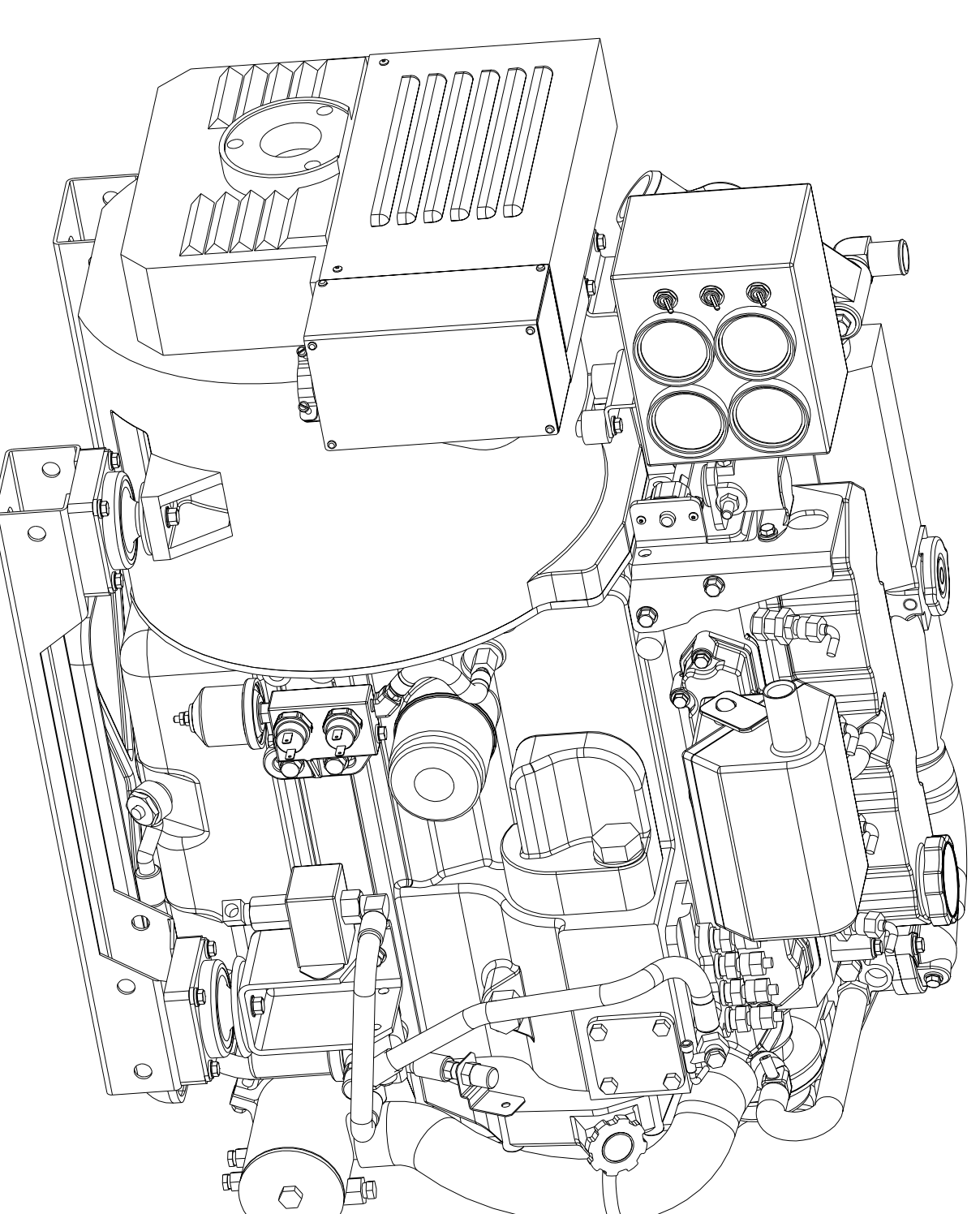
6.7
(170.2)

20.6
(523.2)

10.9
(276.9)

12.3
(312.4)

MOUNTING CENTERS FOR
1/2 INCH BOLTS, (4 HOLES)



SCALE 0.218

MODEL WITH 50 AMP ALTERNATOR

TOLERANCES (UNLESS OTHERWISE NOTED)		TITLE	
INCHES	XX	MILLIMETERS	INSTALLATION DRAWING
XX	±.02	X	12.5 KW. BTDB AND 15.0 KW. BTDC
CAST	±.03	XX	
ANGLES	±.5°		
FINISH	±.5		
DIMENSIONS		APPROVED BY	DATE
INCHES		JM	7-14-99
MILLIMETERS			
SCALE 7/32		SITE	DRAWING NUMBER
SHT. 1 OF 1		D	44196
			REV. A