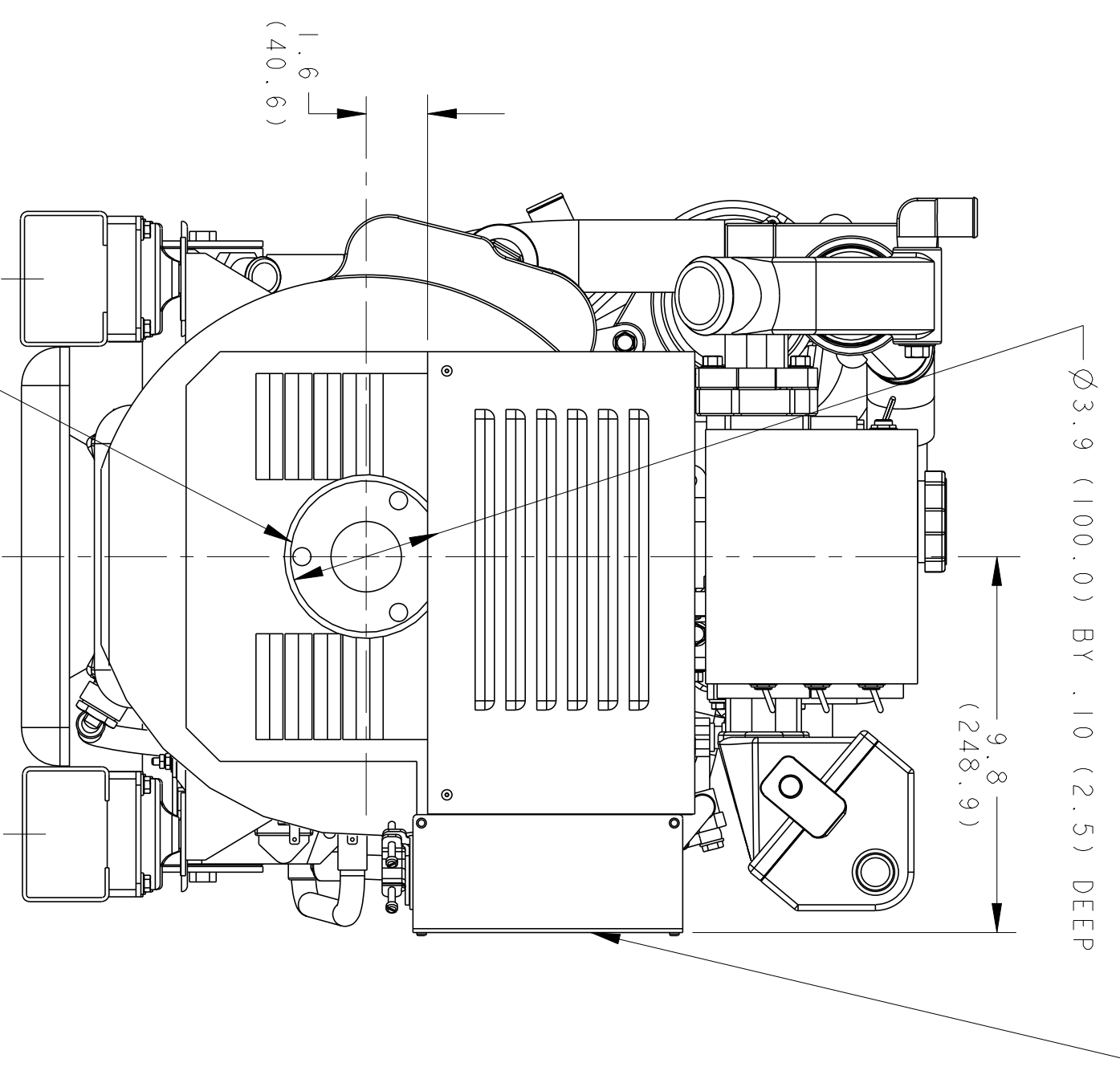
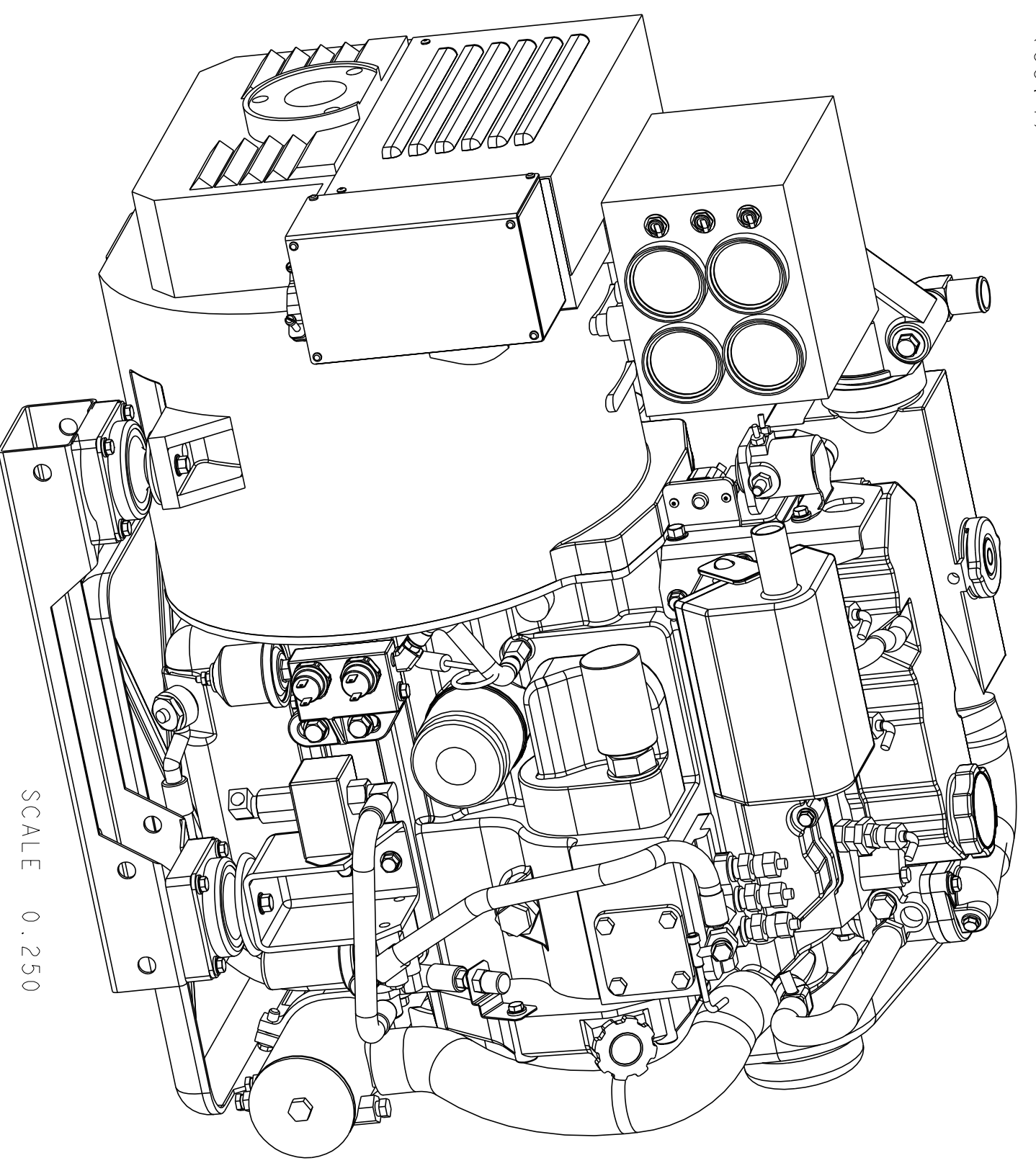
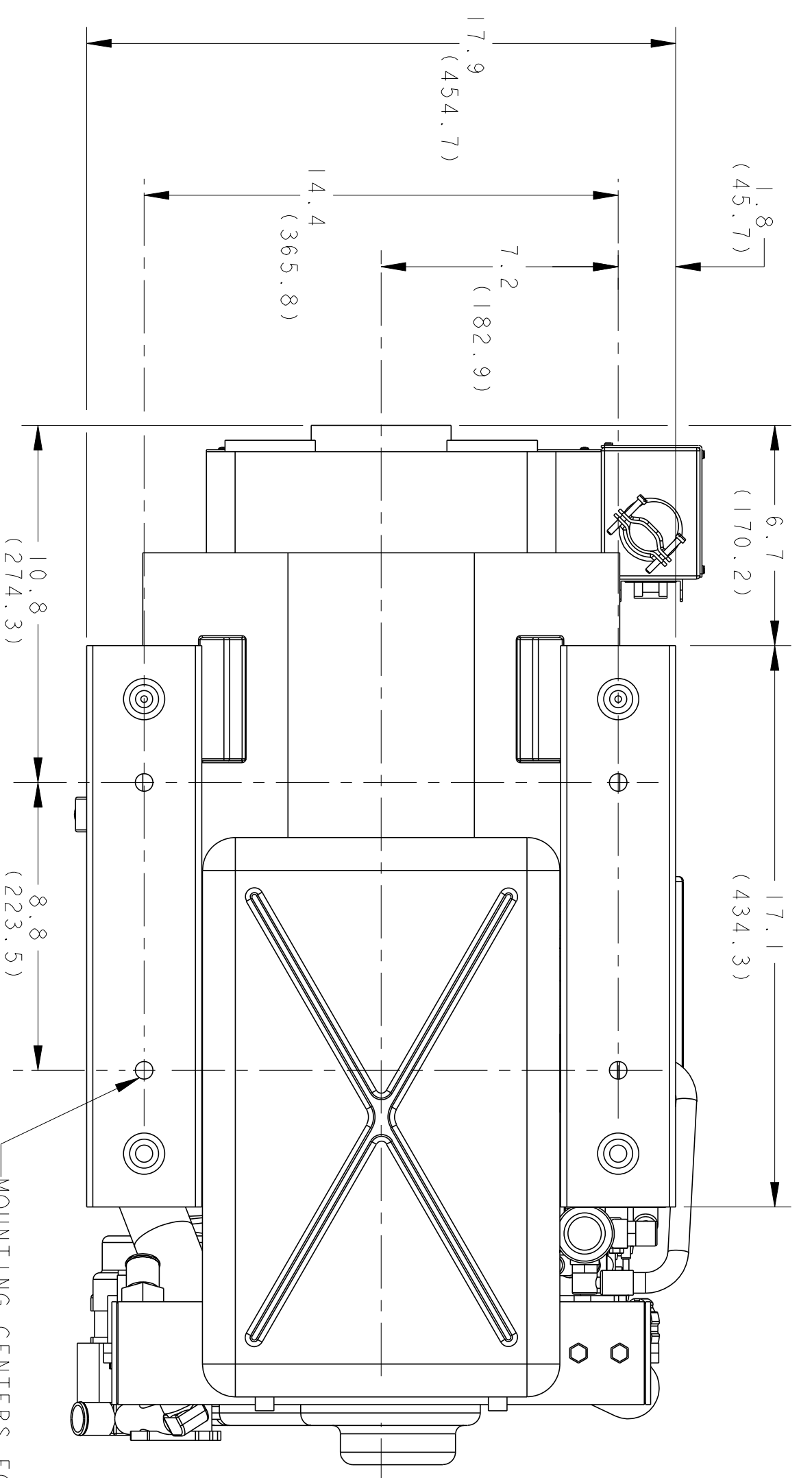
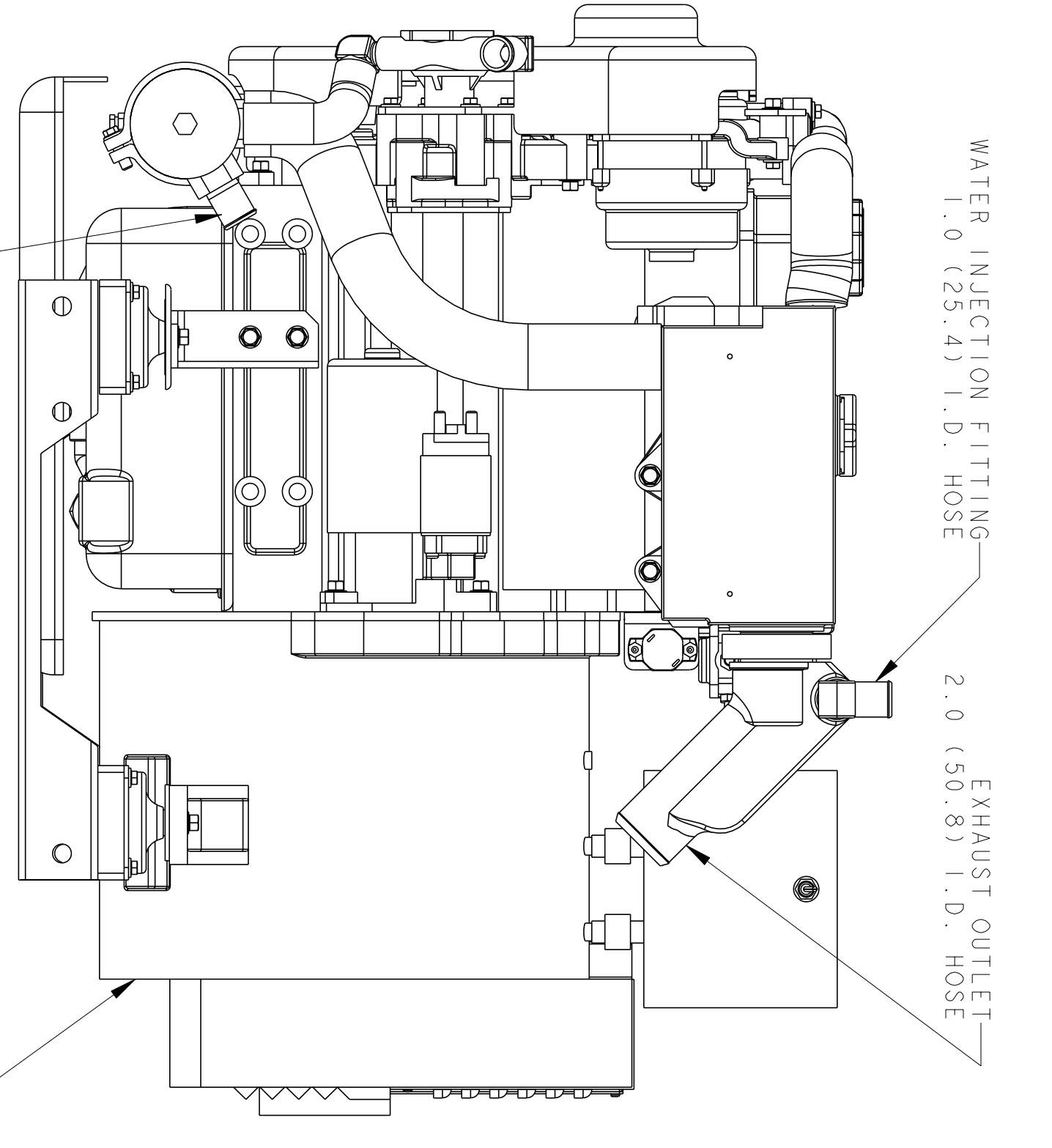
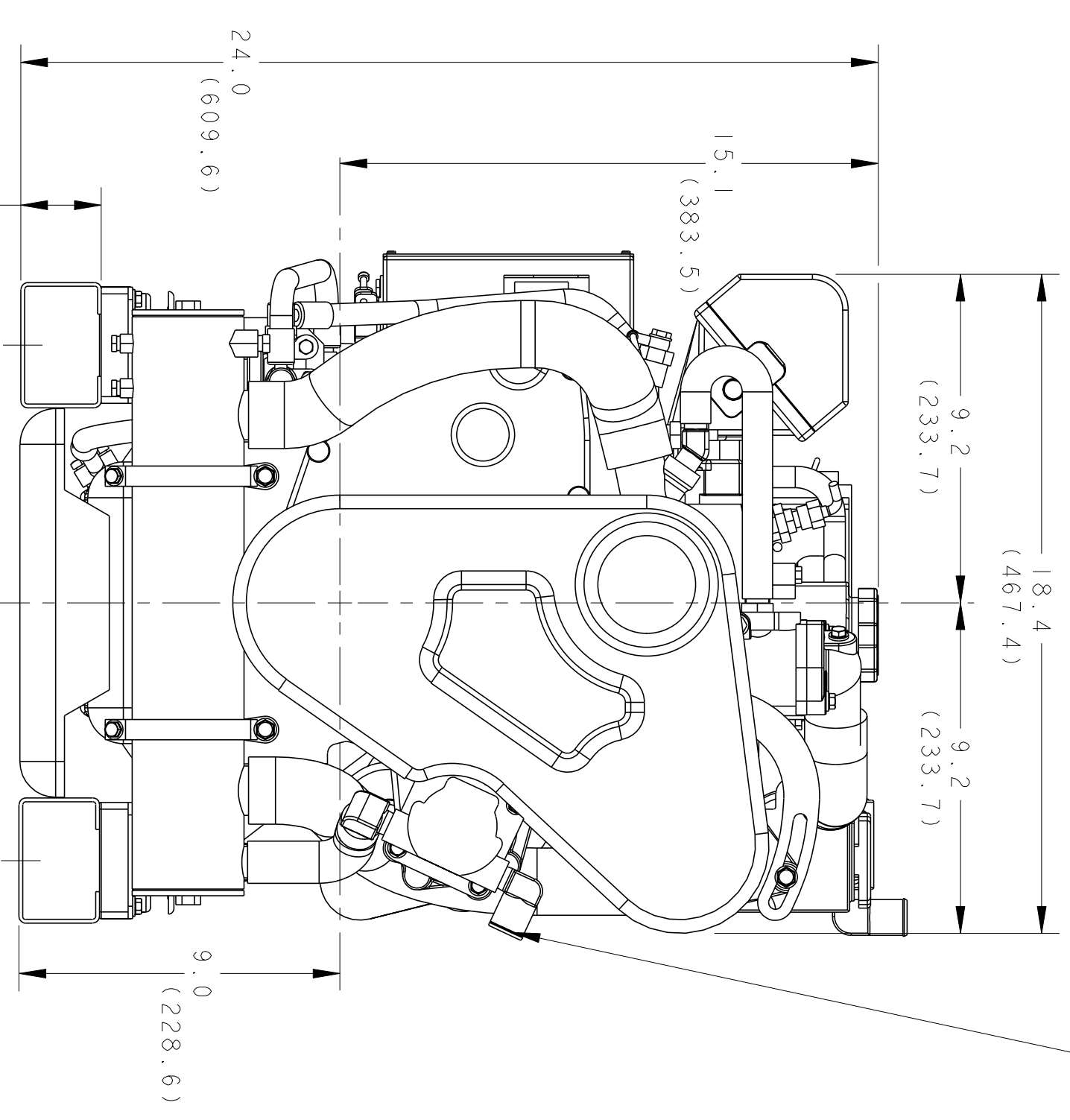
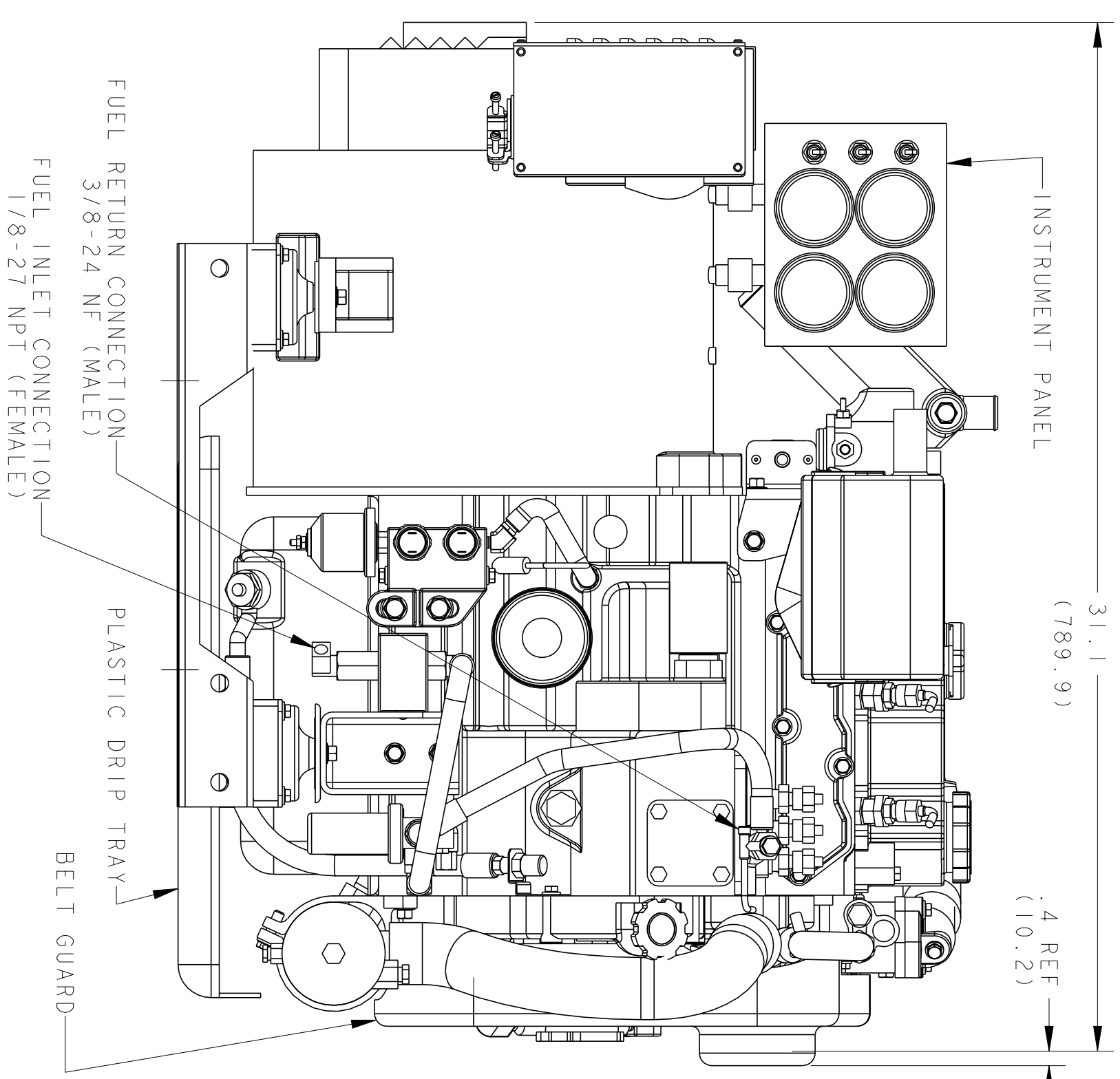
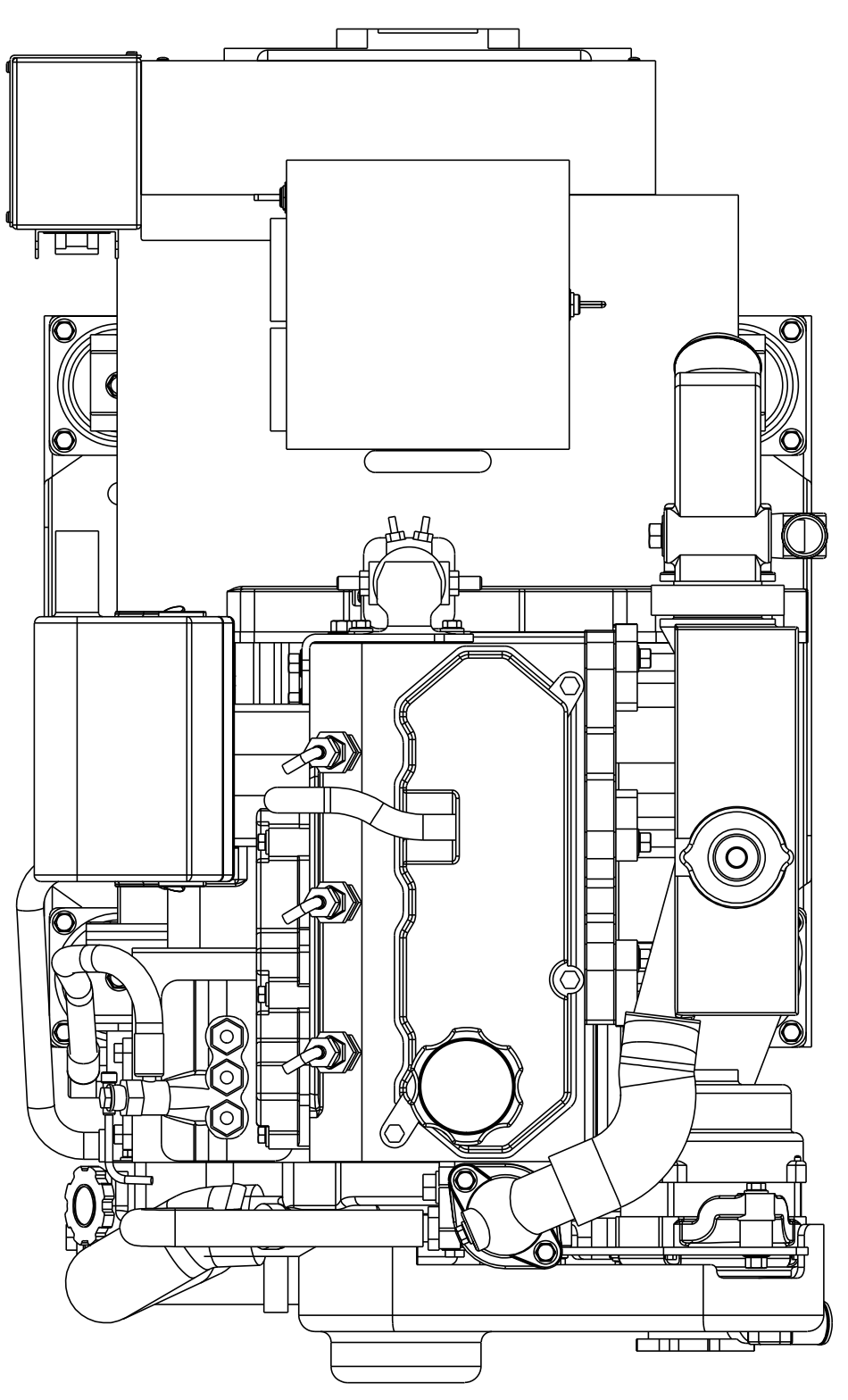


AC OUTPUT CIRCUIT BREAKER



M12.75 THREAD, 1.0 (25.4) DEEP
(3) HOLES EQUALLY SPACED ON A
Ø3.34 (85.0) B.C.



MODEL WITH 50 AMP ALTERNATOR

TOLERANCES (UNLESS OTHERWISE NOTED)		WESTERBEKE CORPORATION TAUNTON, MA. 02780	
INCHES	MILLIMETERS	TITLE	INSTALLATION DRAWING
.XX ± .02	.XX ± 1.0	DATE	12.6 BTD W/ ELECT GOVERNING
.XXX ± .005	.XX ± .13	APPROVED BY	DATE
ANGLES: °		DRAWN BY	DATE
FINISH: Ⓢ		GA	28/May/02
DIMENSIONS		MATERIAL:	
INCHES	MILLIMETERS	SCALE	0.250
← INCHES	← MILLIMETERS	SIZE	DRAWING NUMBER
(WHEN APPLICABLE)		SH: 1 of 1	D 47847
		REV.	