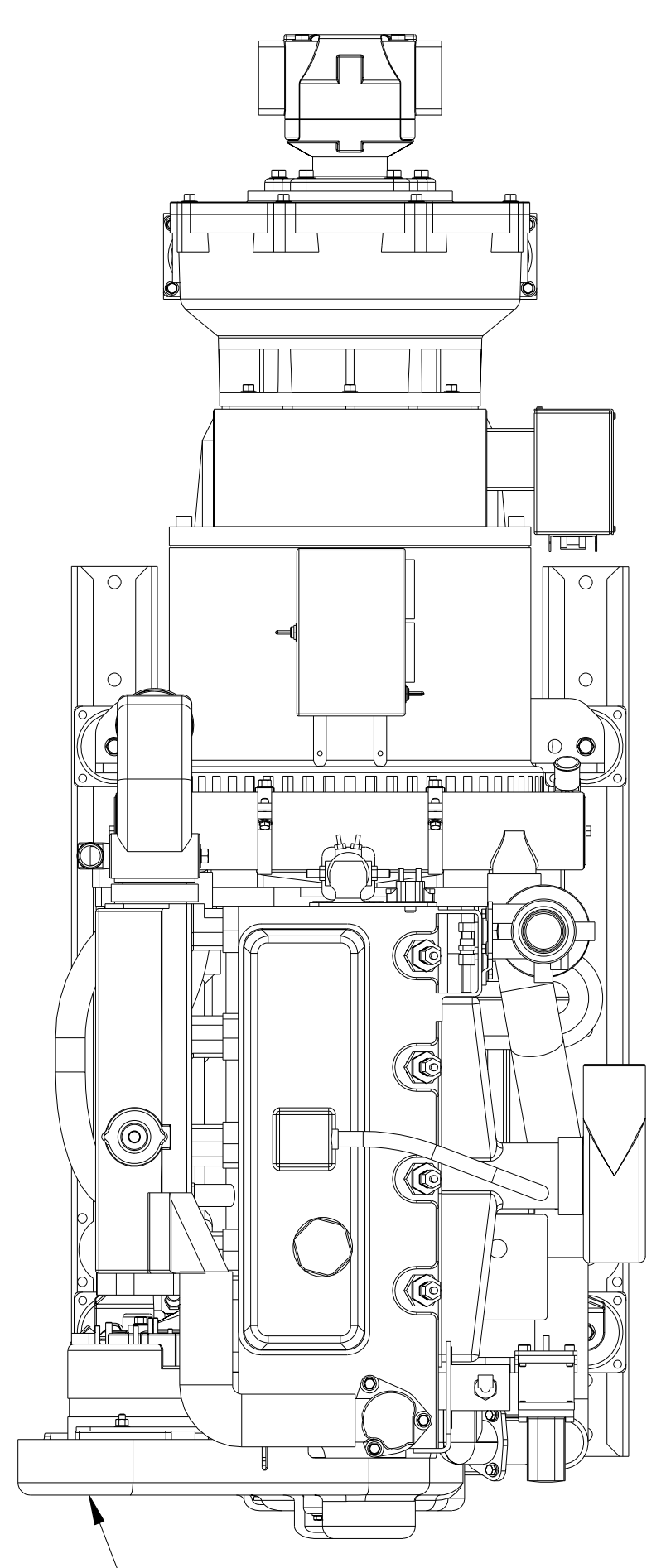
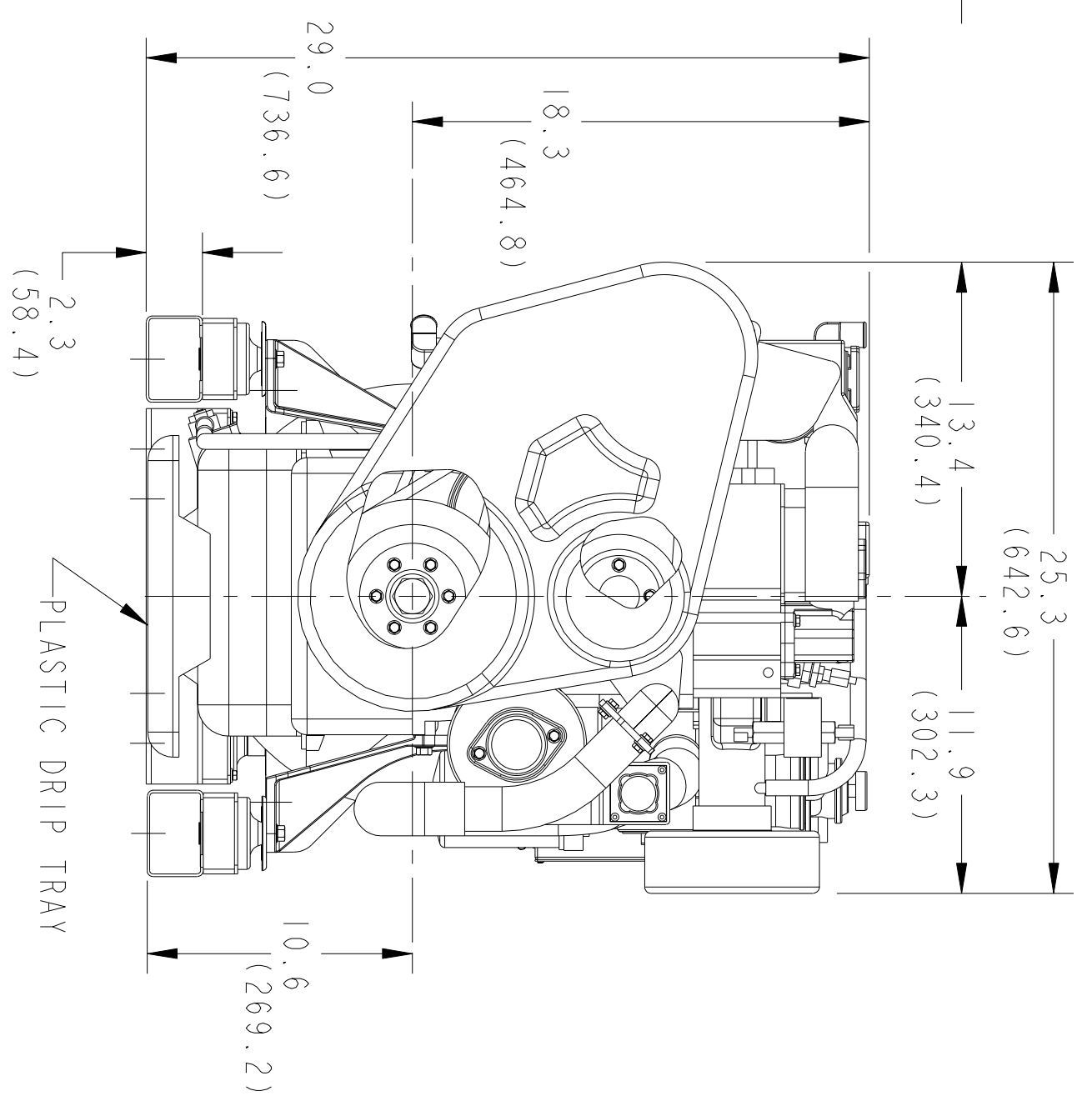
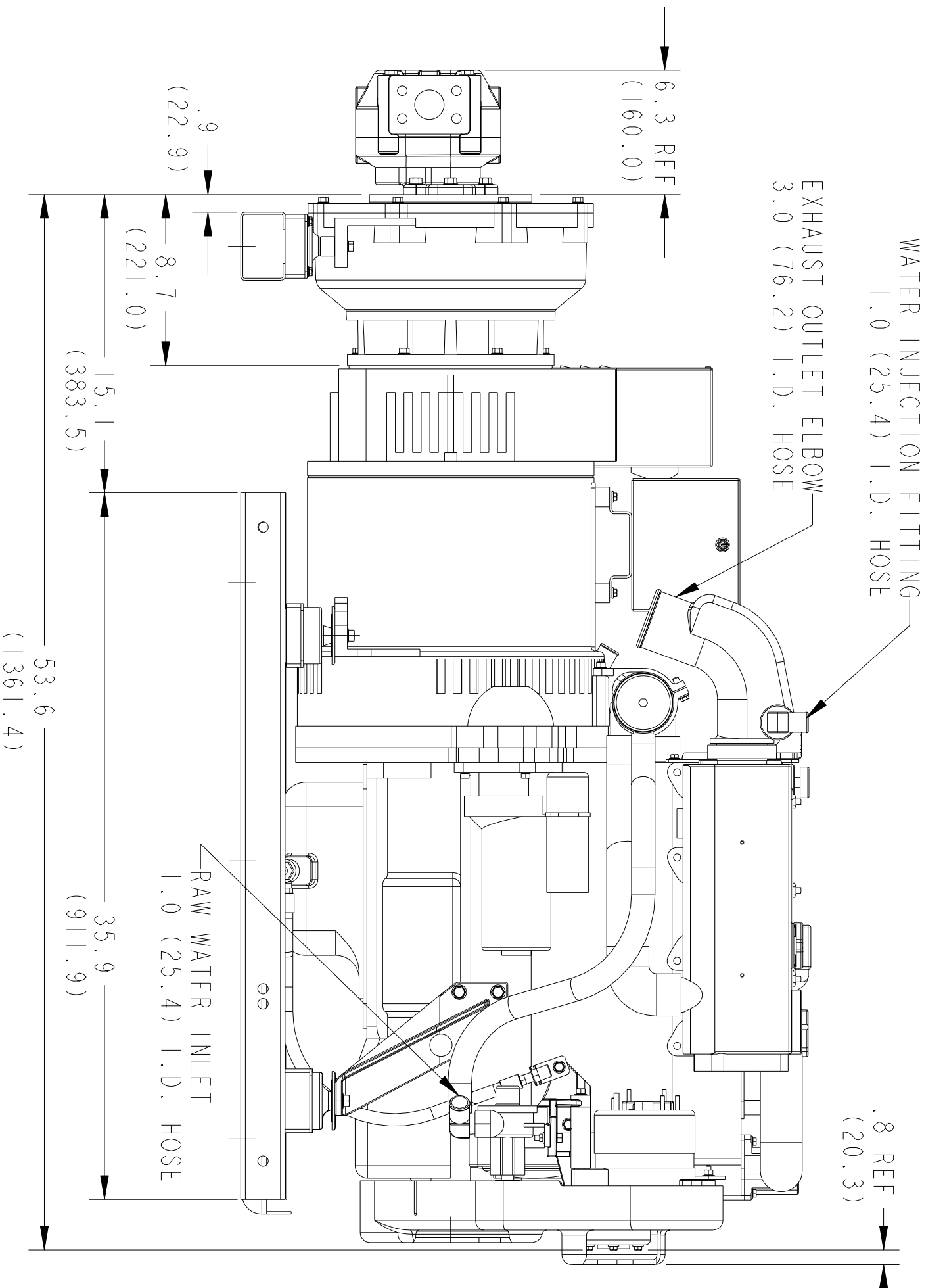
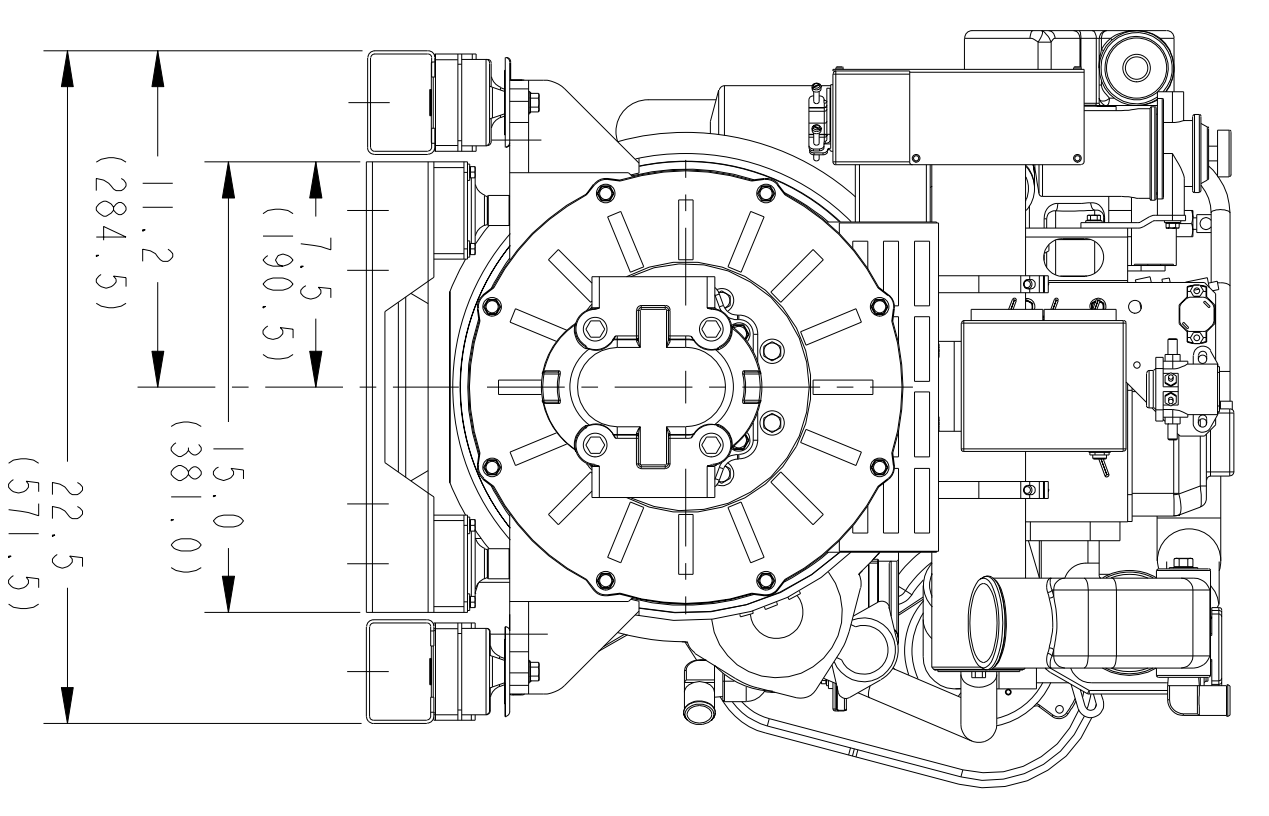


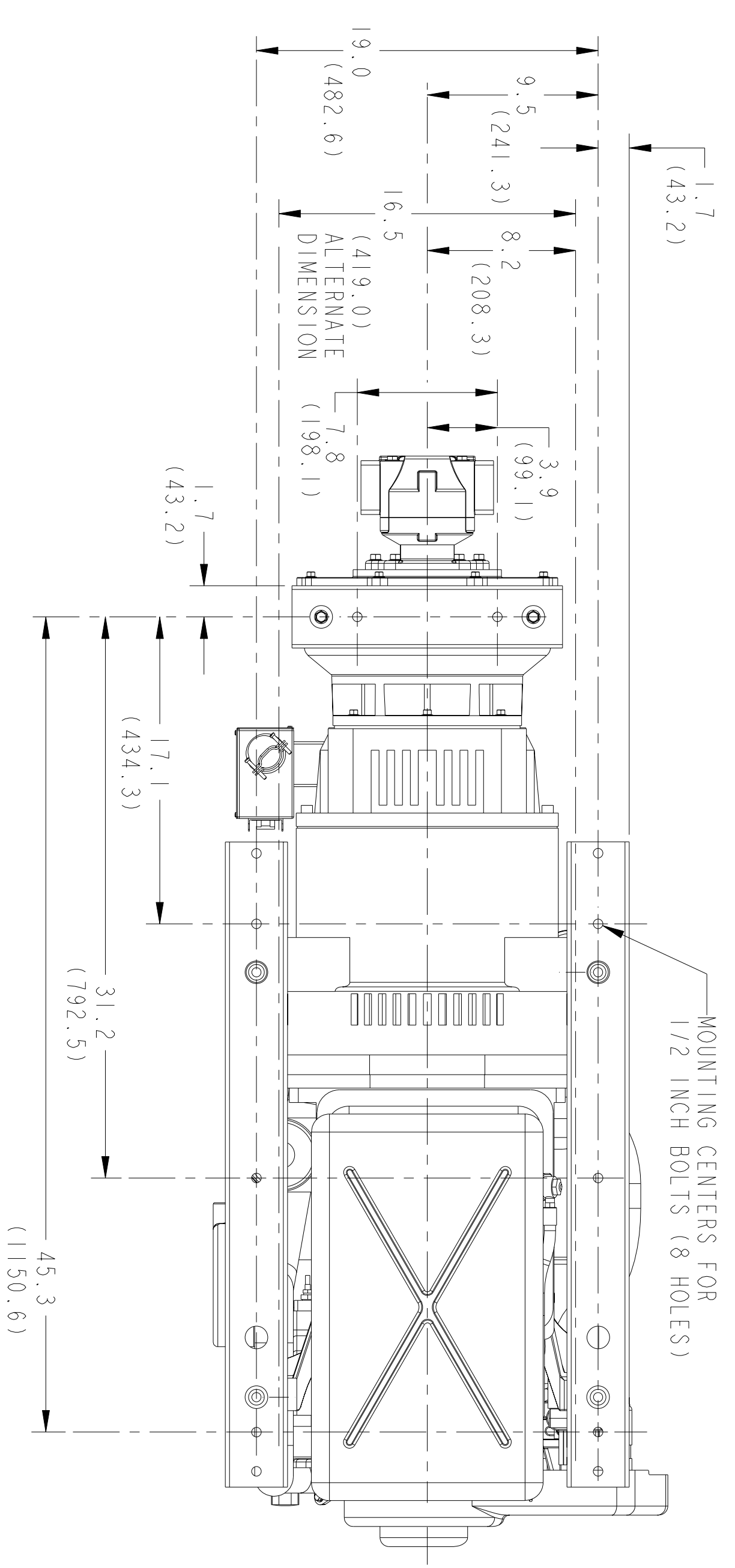
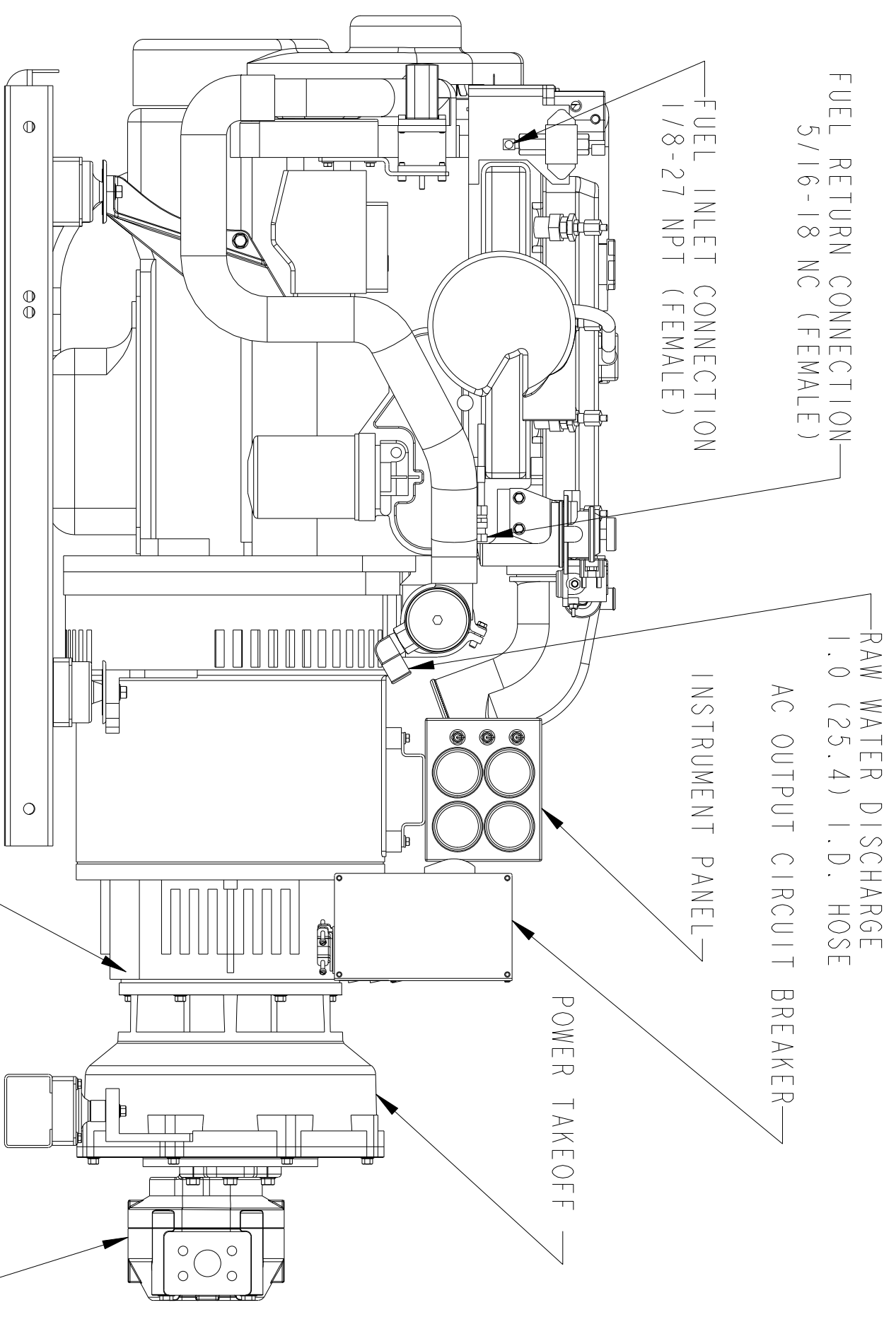
ECO NO.	DATE	REV.	REVISION RECORD	AUTH.	DR. BY
4295	11-15	A	EXHAUST OUTLET OD 3" WAS 2"		JM
4307	11-23	B	REVISED RAIL MTG AND BREAKER BOX MTG		JM
	1999				



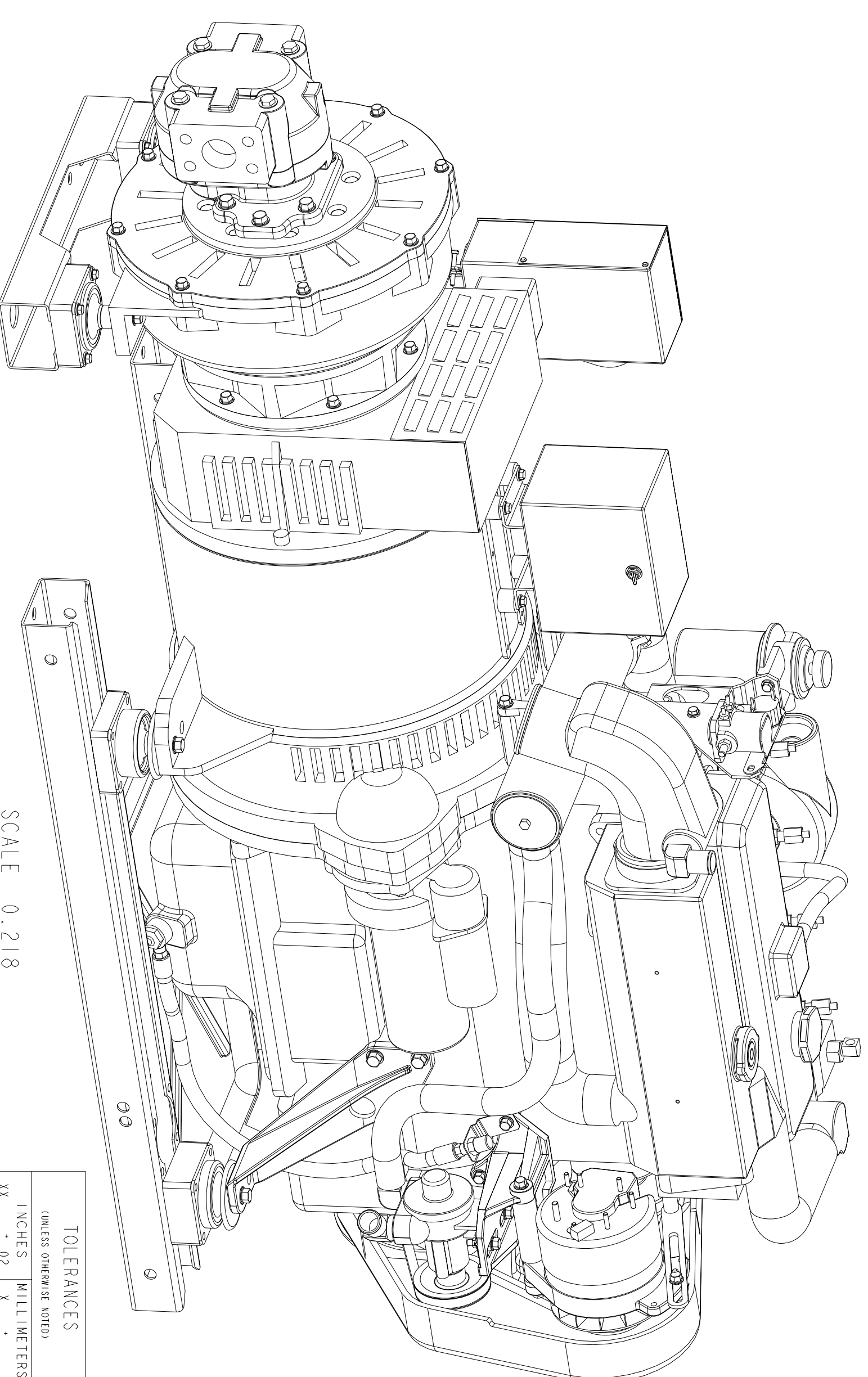
BELT GUARD



PLASTIC DRIP TRAY



MOUNTING CENTERS FOR 1/2 INCH BOLTS (8 HOLES)



SCALE 0.218

TOLERANCES (UNLESS OTHERWISE NOTED)		WESTERBEKE CORPORATION AVON, MA., 02322	
INCHES XX : .02 X : .05 CAST : .03 ANGLES : .5° FINISH : S _y	MILLIMETERS X : .1 X : .25 X : .5 X : 1 X : 2	TITLE INSTALLATION DRAWING PTO 20.0 KW / 16.0 KW BEDA	DATE 4-14-99
DIMENSIONS INCHES MILLIMETERS		APPROVED BY JM	MATERIAL
SCALE 5/32	SCALE 5/32	SHEET 1 OF 1	DRAWING NUMBER 43311
(WHEN APPLICABLE)		REQ. B	