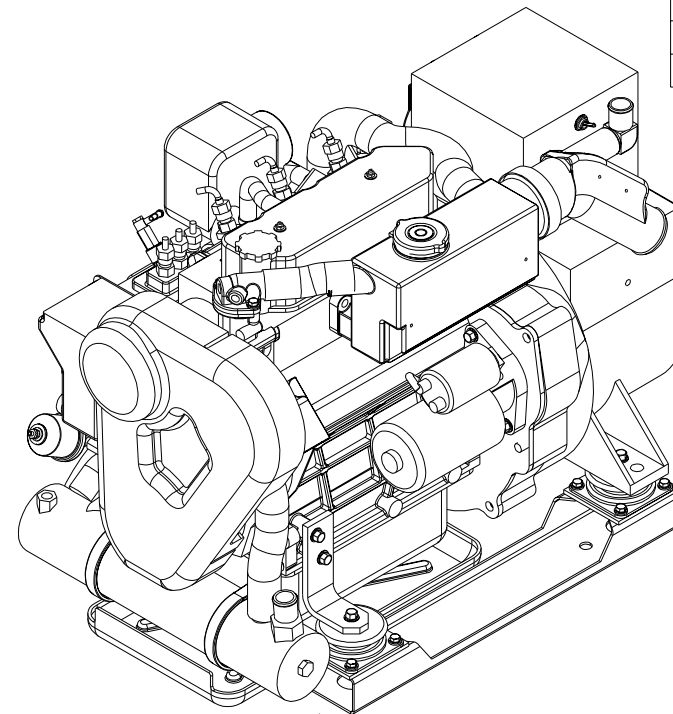
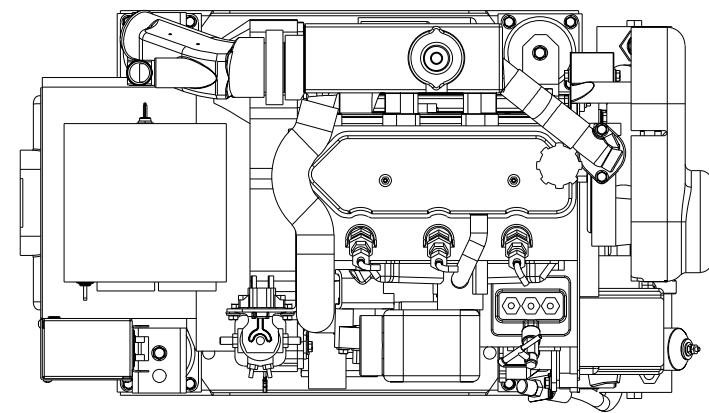
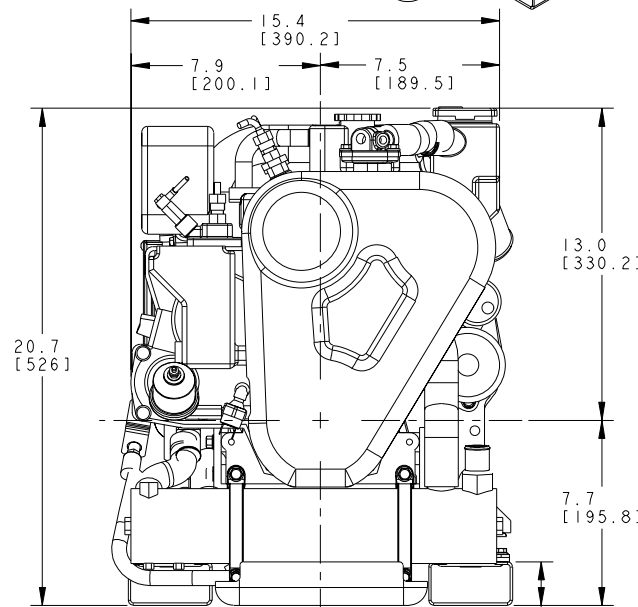
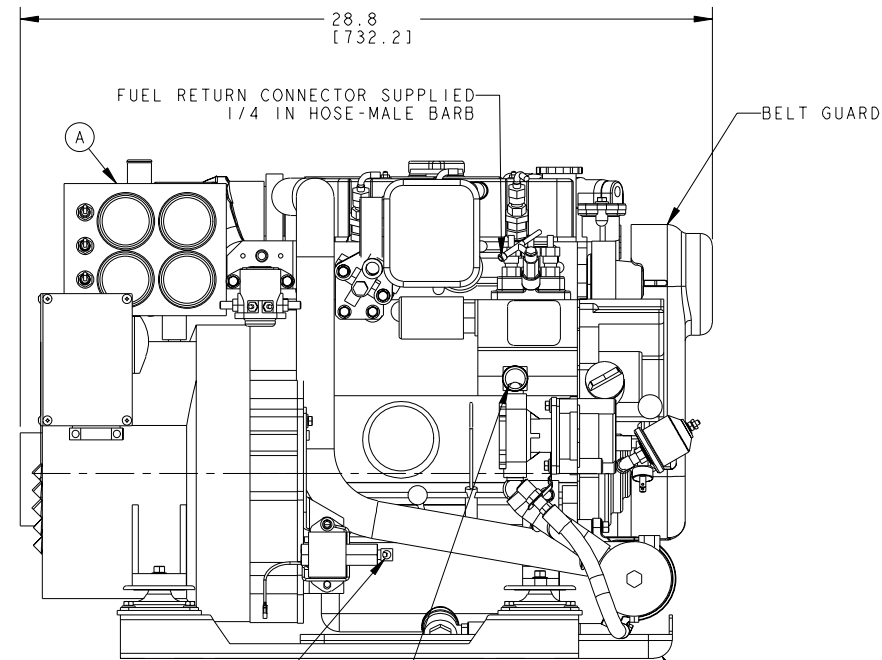
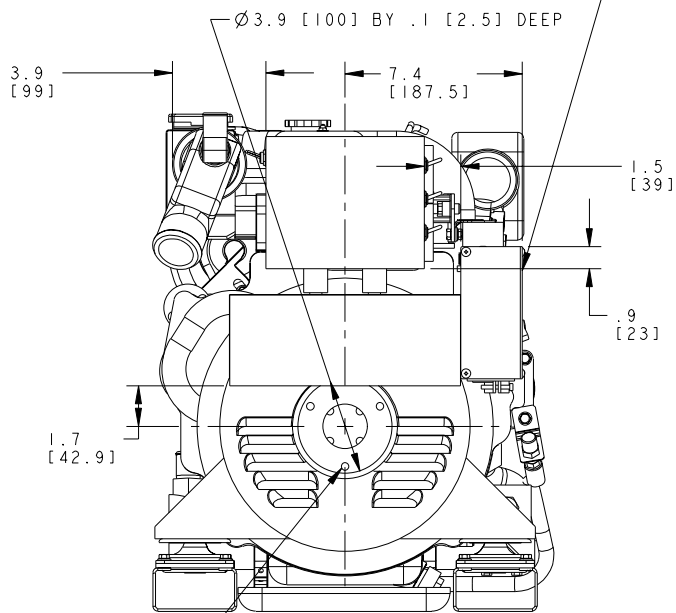


ECO NO.	DATE	REV.	REVISION RECORD	AUTH.	DR. BY
5351	8-22-02	A	CHANGED PANEL BOX		GA
5756	6-8-04	B	UPDATED PANEL BOX		GA

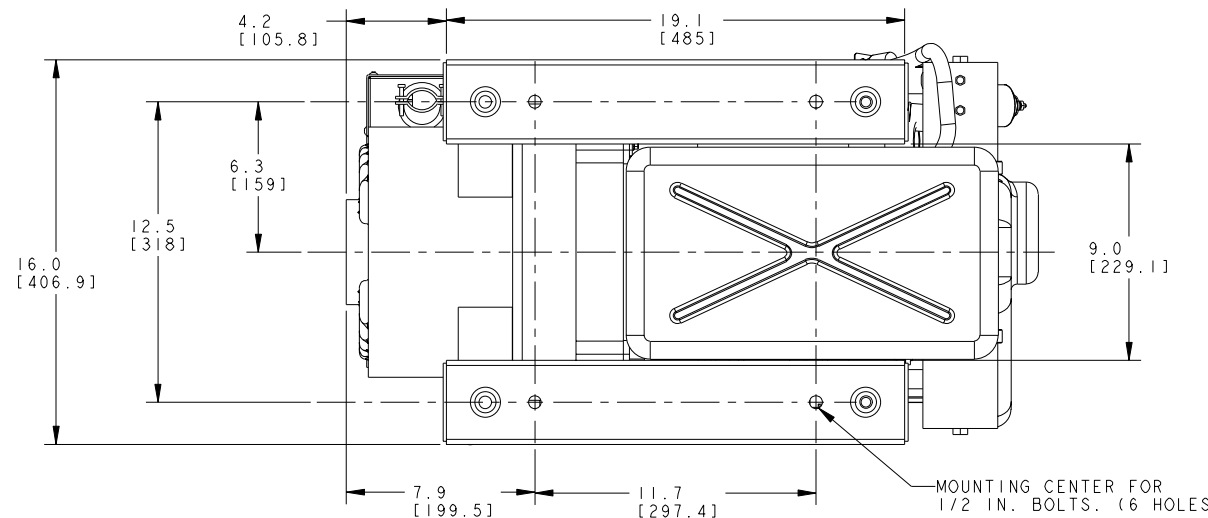
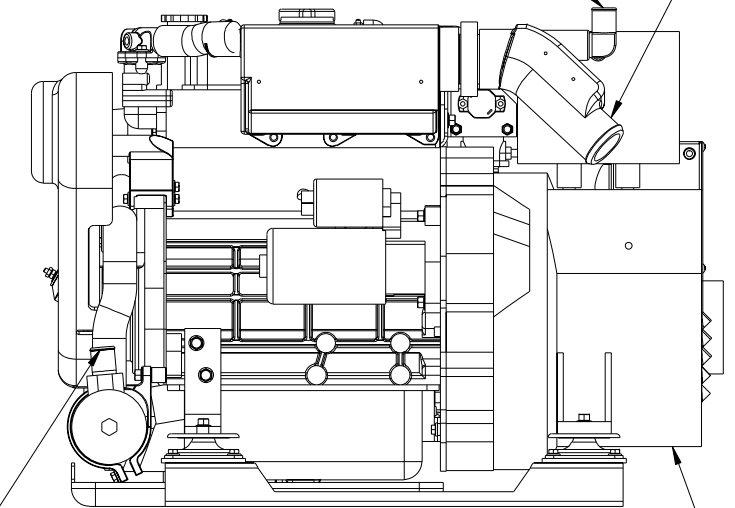


AC OUTPUT CIRCUIT BREAKER



EXHAUST OUTLET 2.0 [50.8] I.D. HOSE

WATER INJECTION FITTING 1.0 [25.4] I.D. HOSE



TOLERANCES (UNLESS OTHERWISE NOTED)		WESTERBEKE CORPORATION TAUNTON, MA. 02780	
INCHES	MILLIMETERS	TITLE	DATE
.XX : .02	.X ± 1.0	INSTALLATION DRAWING	05/Jun/02
.XXX : .005	.X ± .5	4.0 kW BCD	
CAST : .03	.XX ± .13		
ANGLES : °			
FINISH : #			
DIMENSIONS		APPROVED BY	DATE
INCHES		GA	05/Jun/02
MILLIMETERS			
(WHEN APPLICABLE)		SCALE 0.250	SIZE
		SHT. 1 OF 2	DRAWING NUMBER
			47887
			REV. B