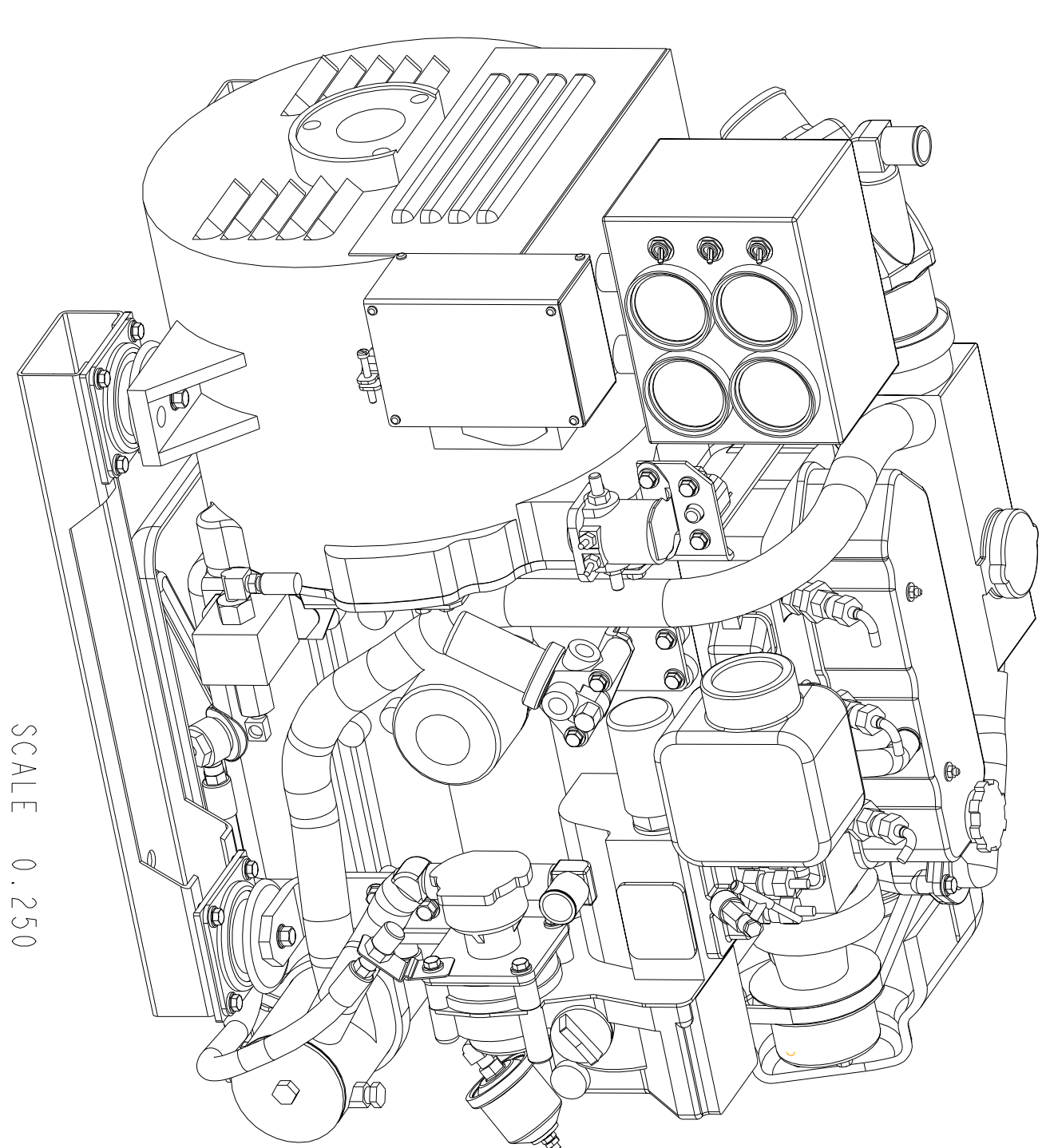
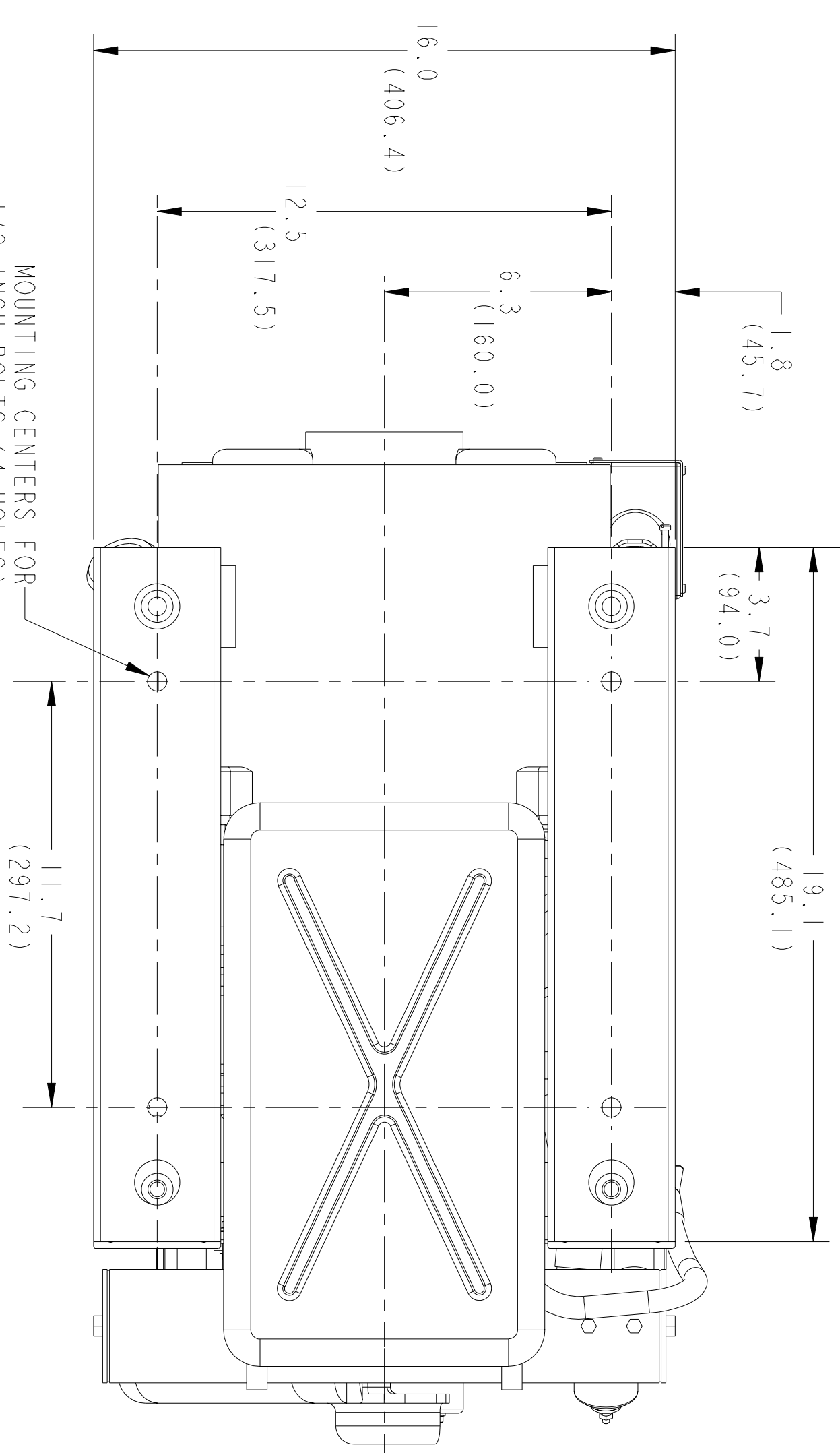
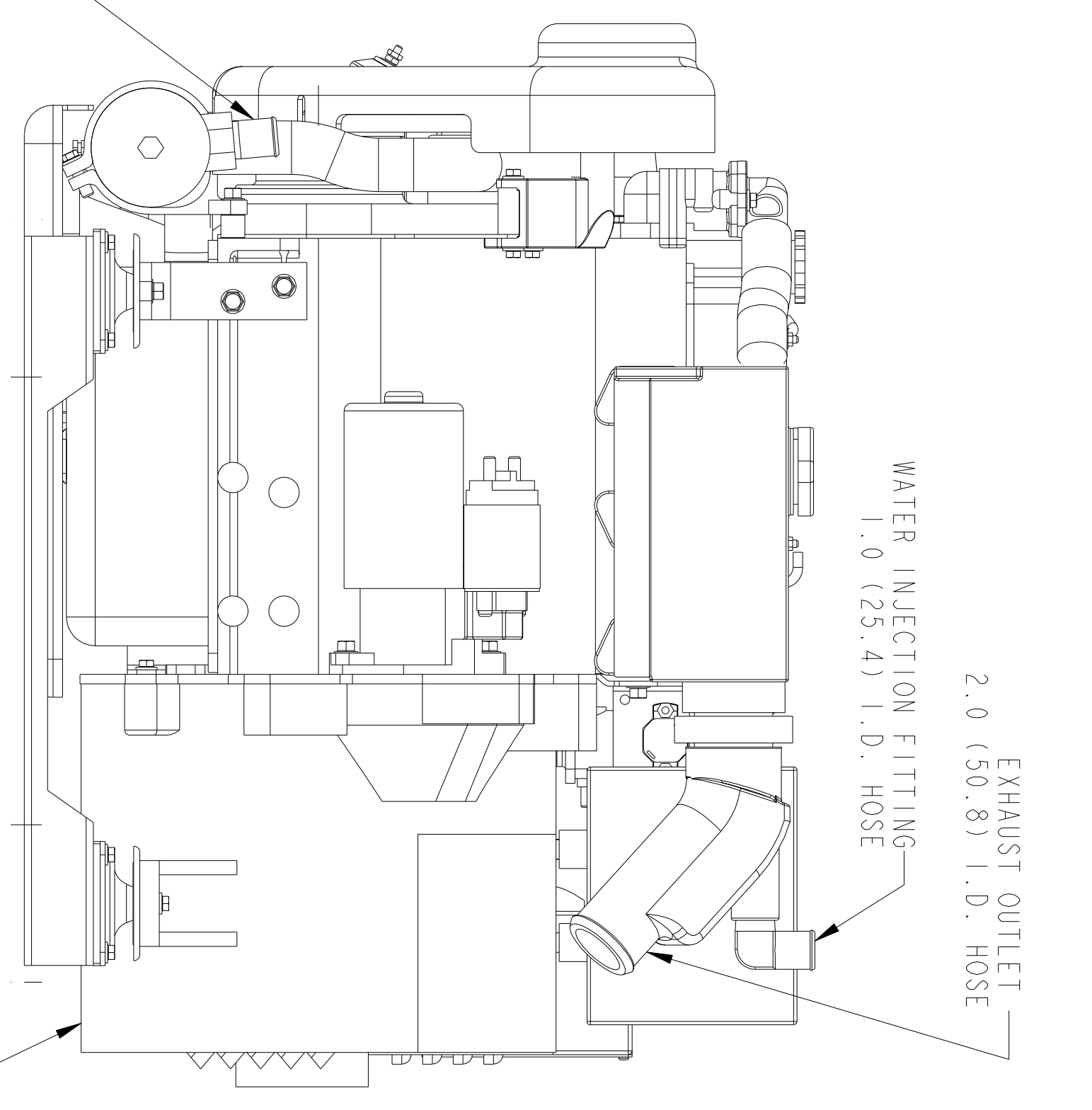
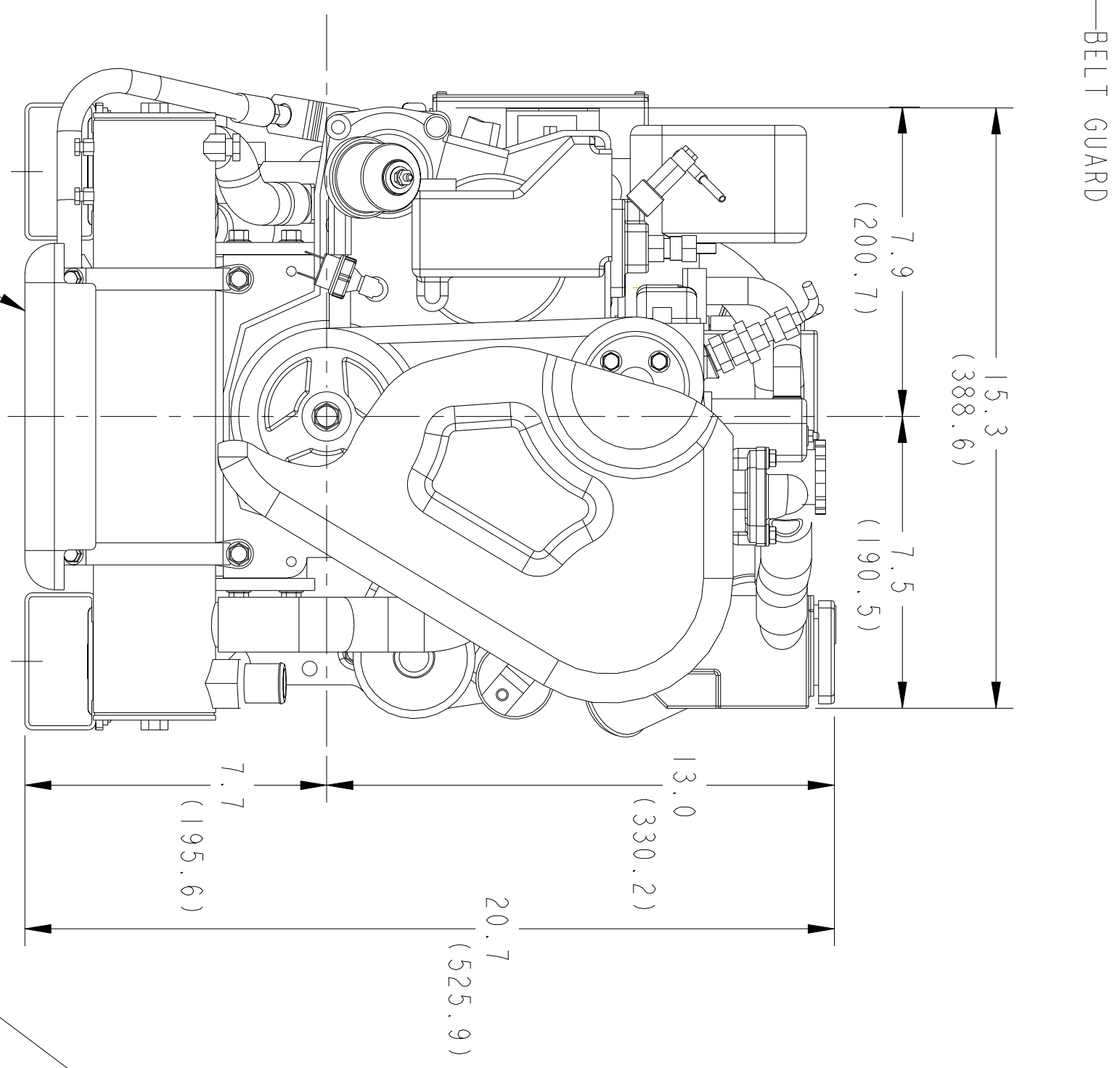
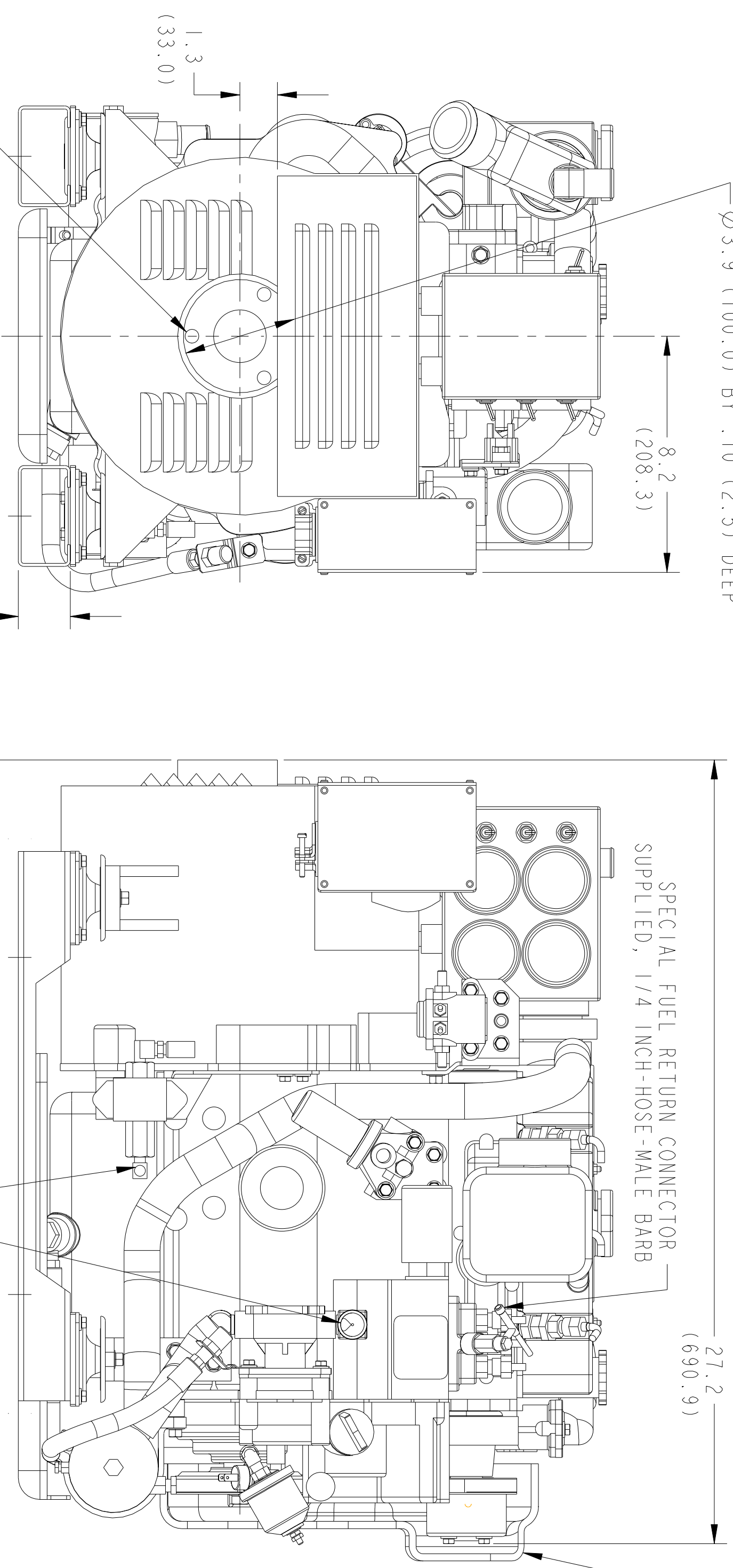
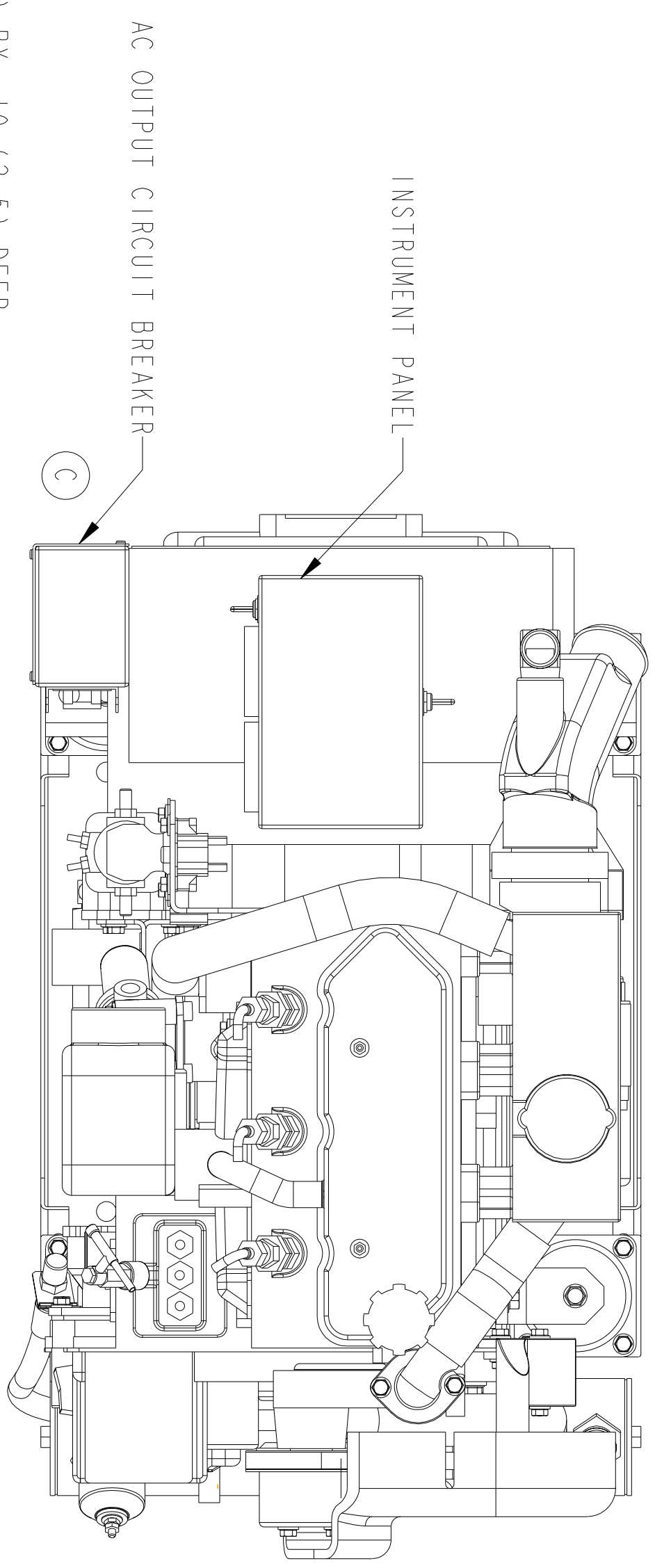


ECO NO.	DATE	REV.	REVISION RECORD	AUTH.	DR. BY
3789	7-7	A	REVISED AND REDRAWN		JM
3978	2-8	B	PAUL LENGTH 19.1 WAS 21.1 MOUNTING CENTERS CHANGED FROM (8) TO (4)		JM
4322	11-30	C	REVISED BREAKER BOX MOUNTING		JM
	11-30				JM



TOLERANCES (UNLESS OTHERWISE NOTED)		WESTERBEKE CORPORATION AVON, MA., 02322	
INCHES XX : .02 X : .05 CAST : .03 ANGLES : .5° FINISH : S <sub>y</sub>	MILLIMETERS X : .1 XX : .25	TITLE INSTALLATION DRAWING 5 KW. BCDB	
DIMENSIONS INCHES MILLIMETERS		DRAWN BY JU	DATE 12-16-88
SCALE 9/32		APPROVED BY	MATERIAL
SHEET 1 OF 1		DRAWING NUMBER <b>38060</b>	
		REV. C	