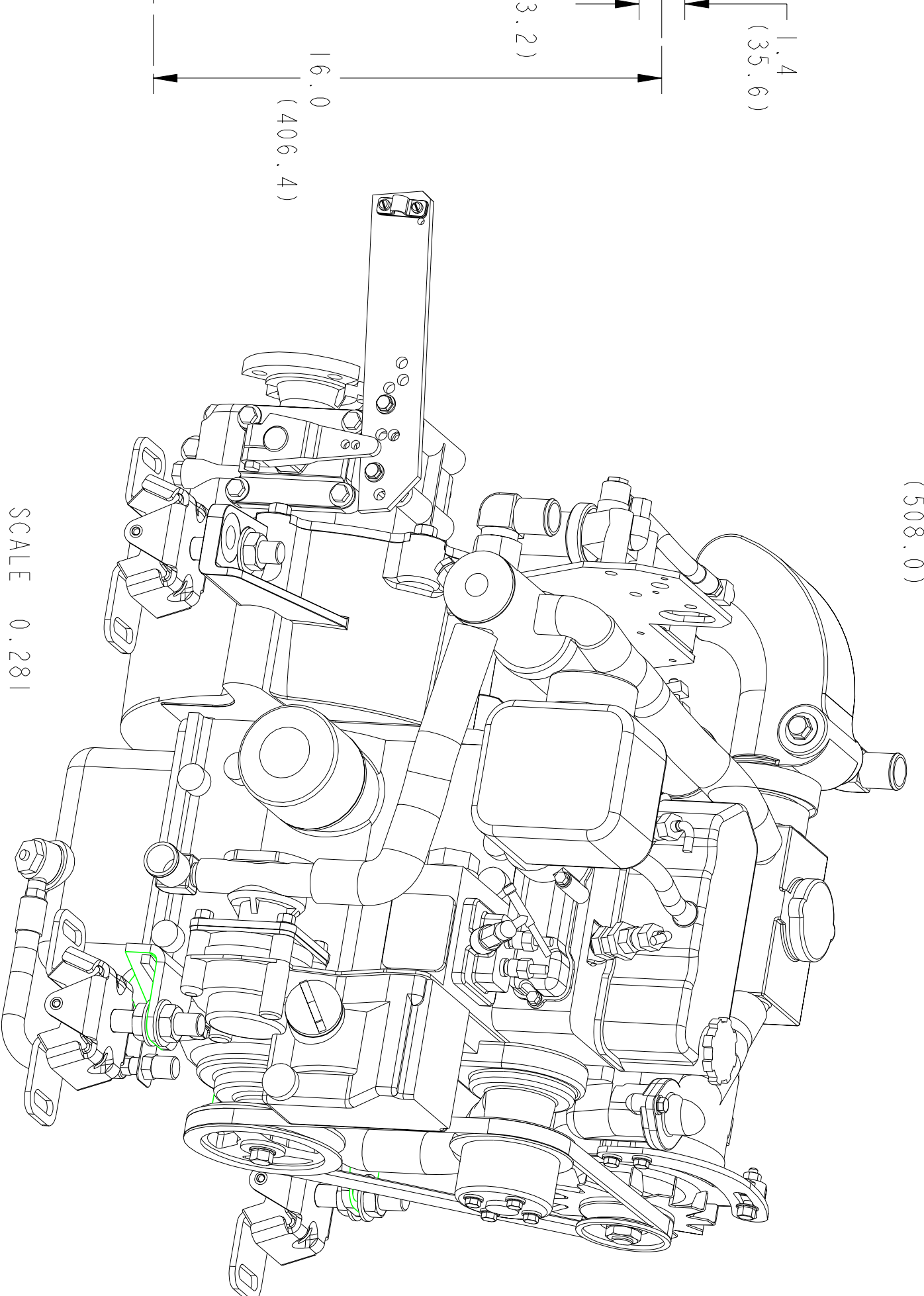
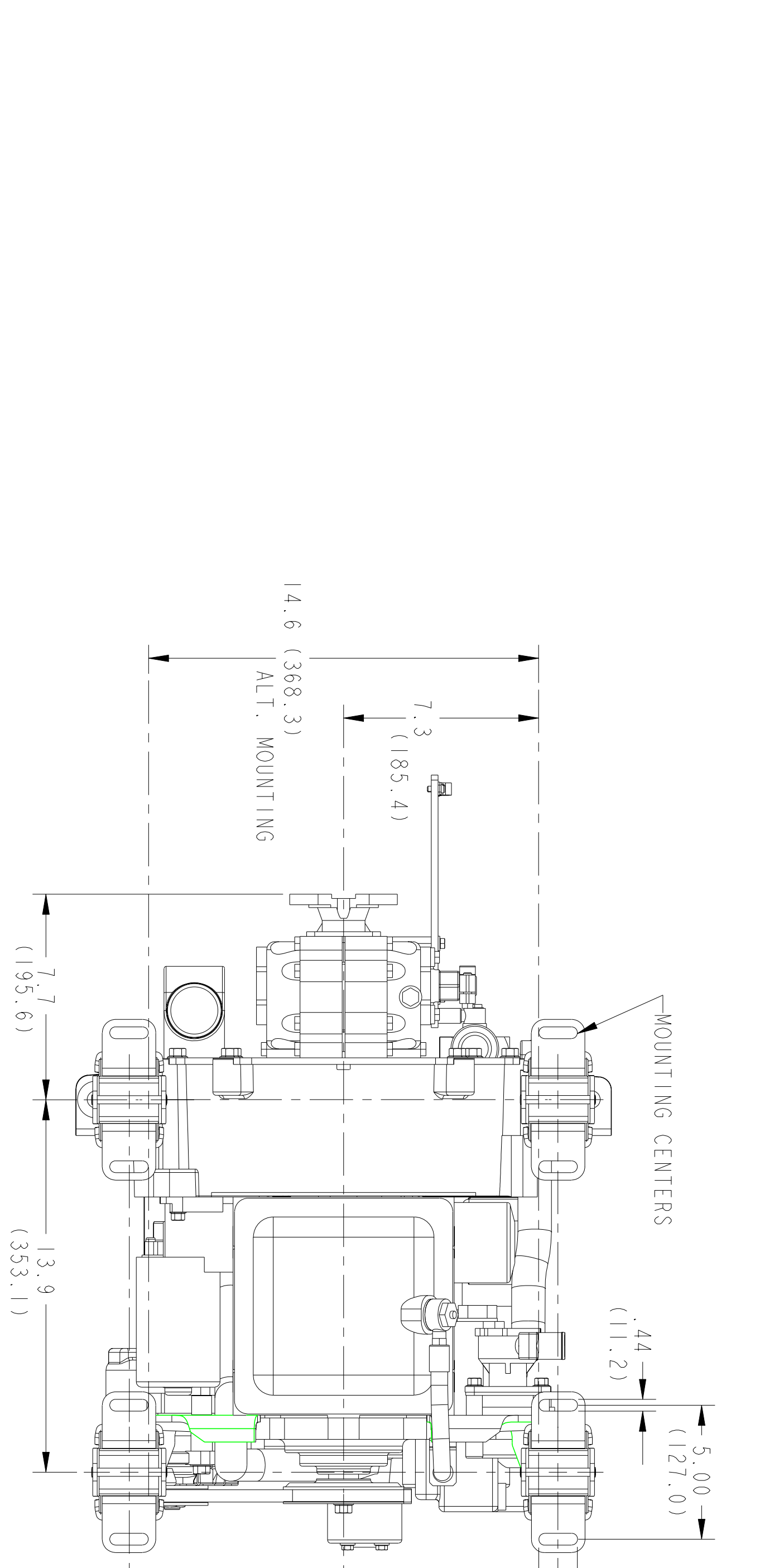
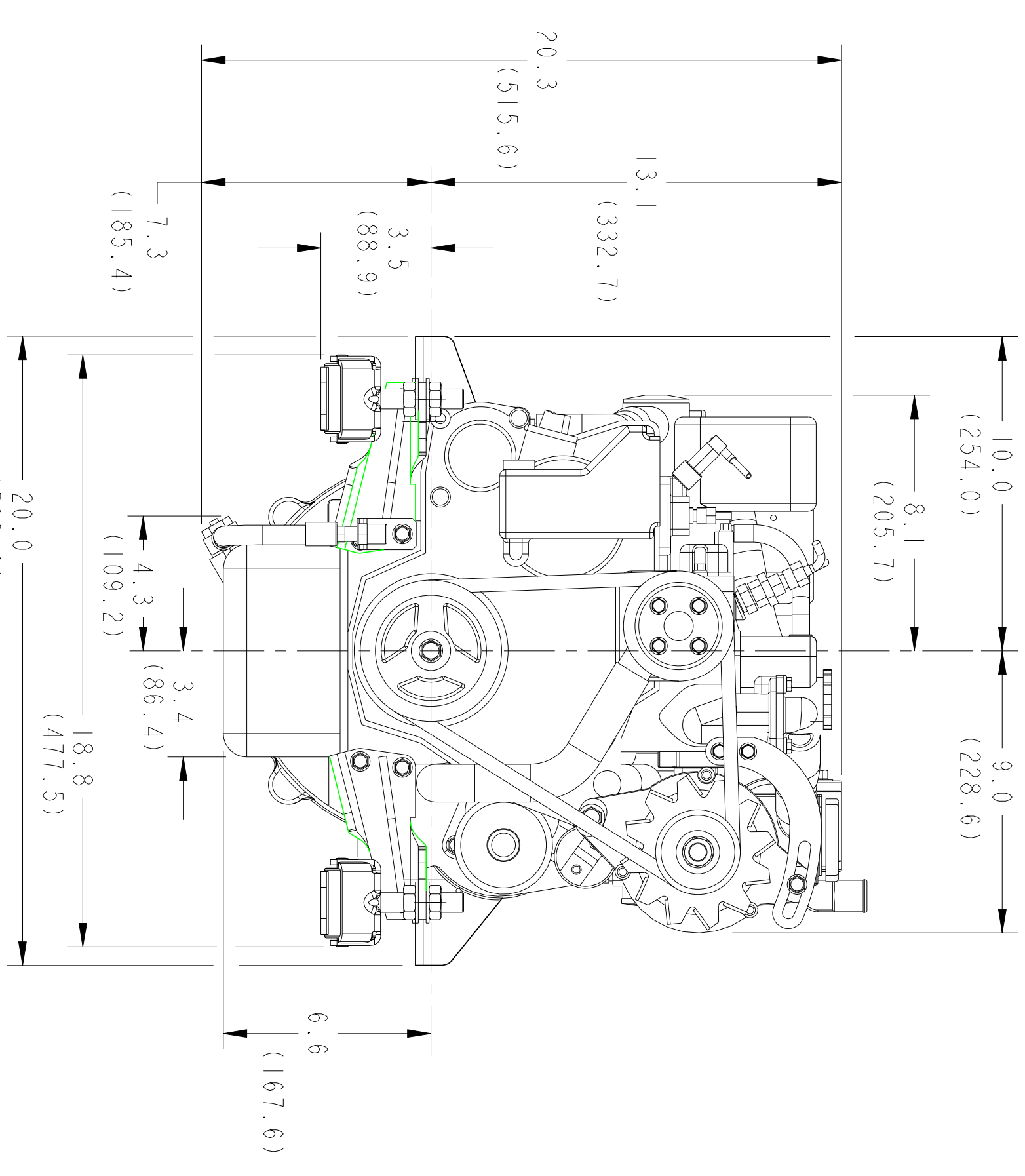
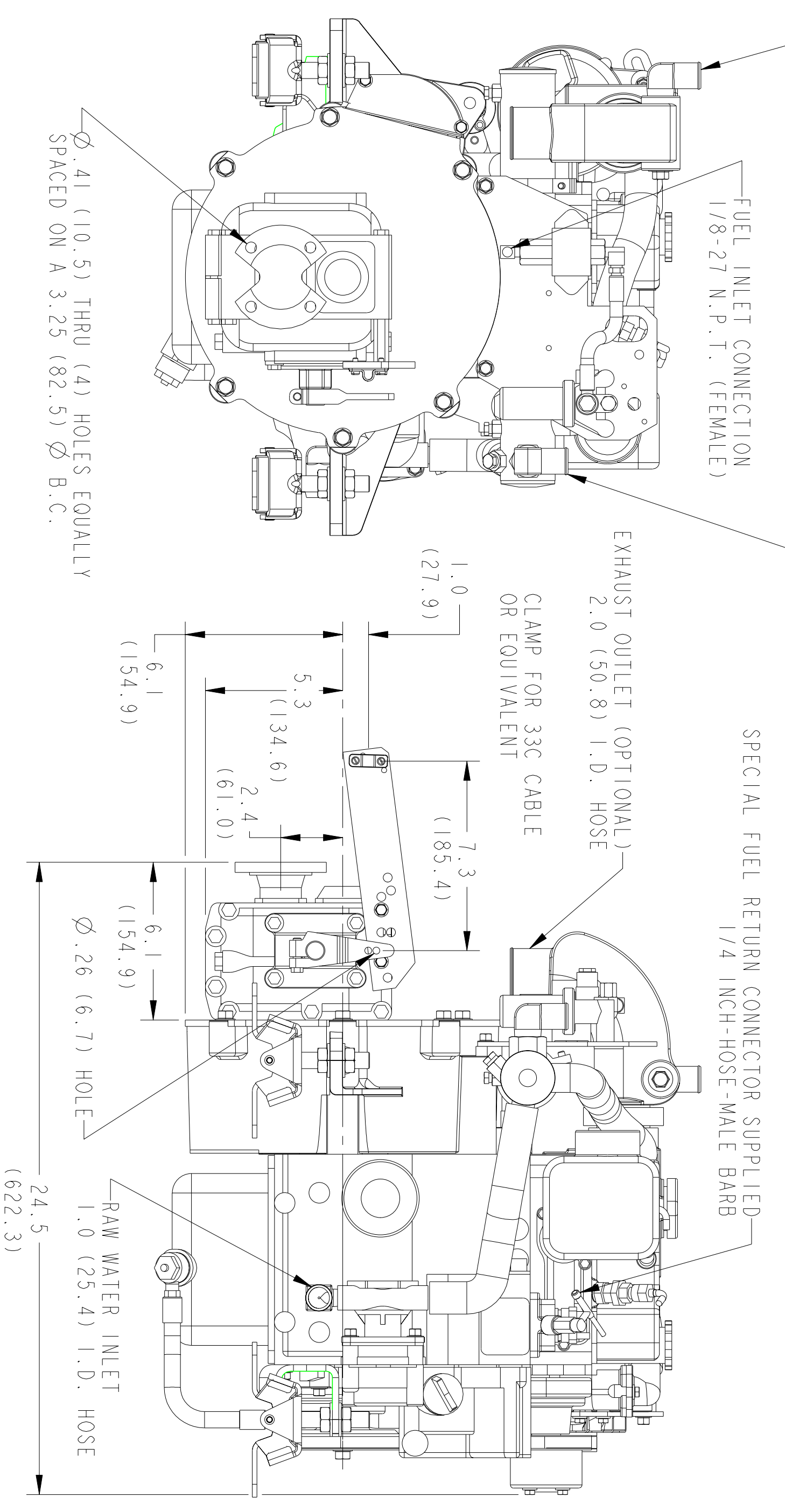
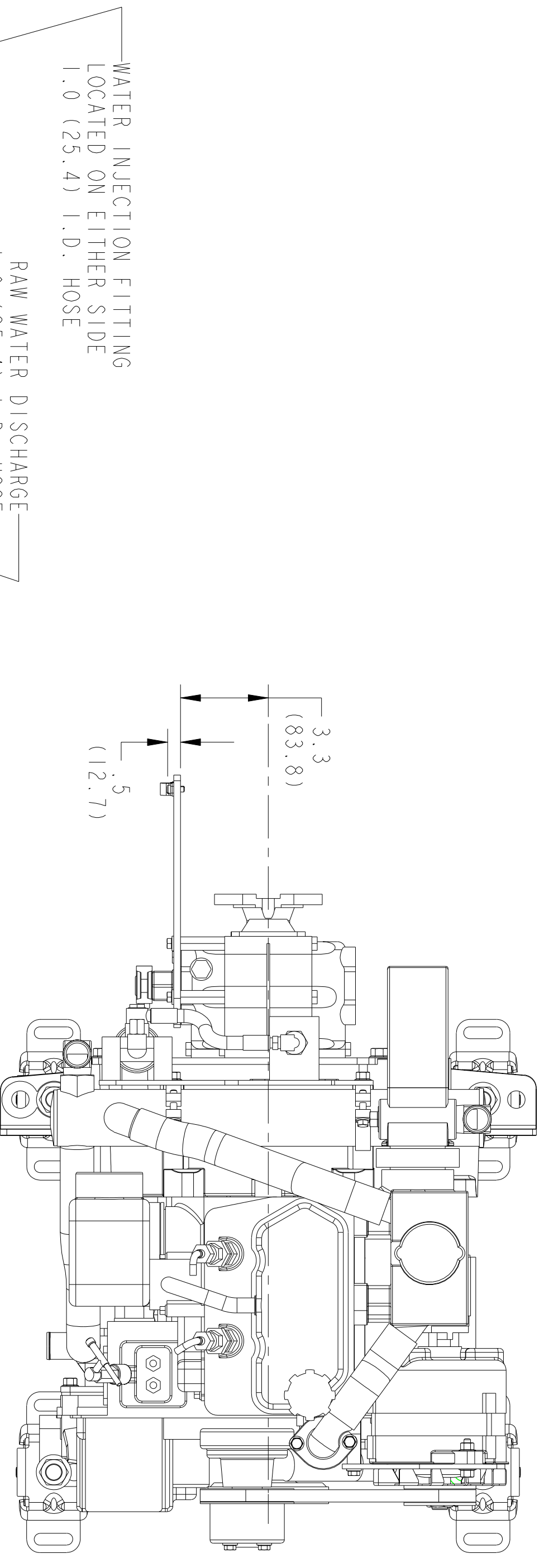


ECO NO.	DATE	REV.	REVISION RECORD	AUTH.	DR. BY
4298	11-15-1999	A	ADDED ALT MOUNTING 14.6		JM



TOLERANCES (UNLESS OTHERWISE NOTED)		TITLE	
INCHES	MILLIMETERS	WESTERBEKE CORPORATION AVON, MA., 02322	
XX : .02	X : .05	INSTALLATION DRAWING	
XX : .03	XX : .05	12C TWO WITH HBW50 TRANSMISSION	
XX : .50	XX : .50	DATE	DATE
XX : .50	XX : .50	5-18-98	
DIMENSIONS ← INCHES → ← MILLIMETERS →		APPROVED BY	MATERIAL
		JM	
SCALE 1/4		DATE	
SHT. 1 OF 1			
D		DRAWING NUMBER 43468	
A		REV.	